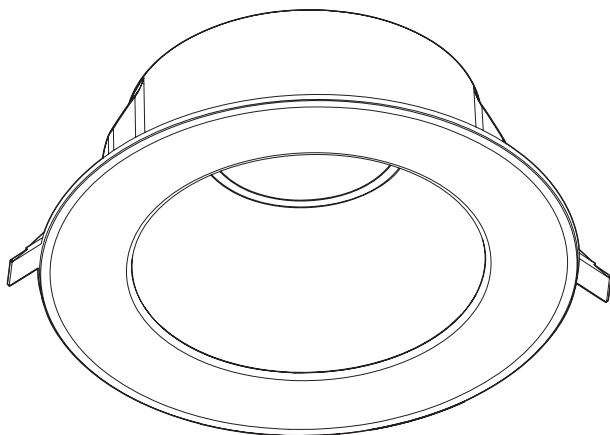




# LED PERFORMANCE DOWNLIGHT G2S

داون لایت



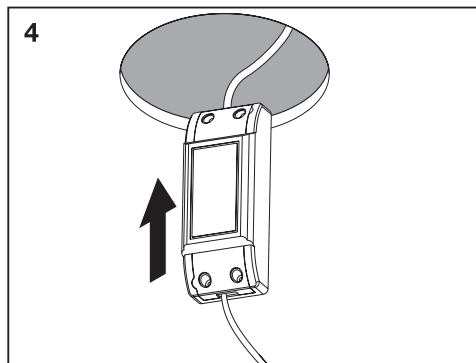
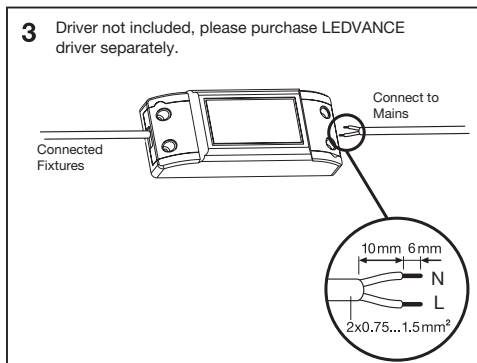
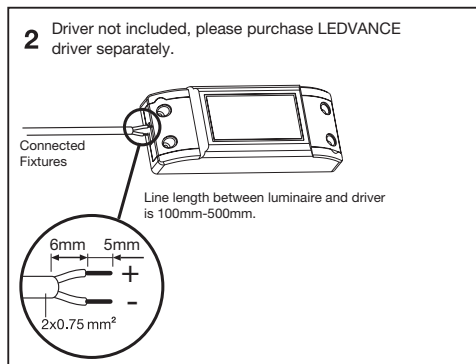
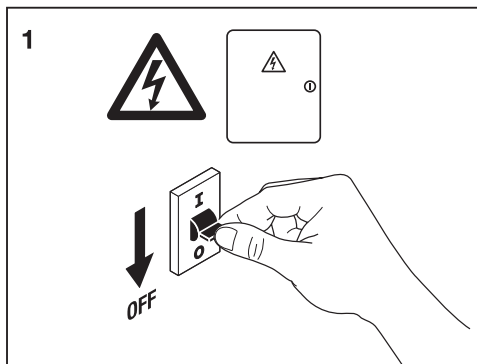
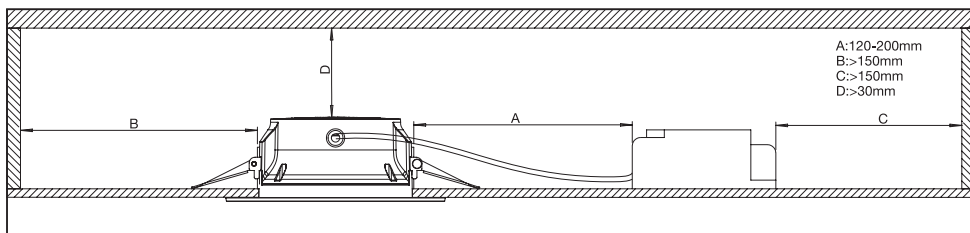
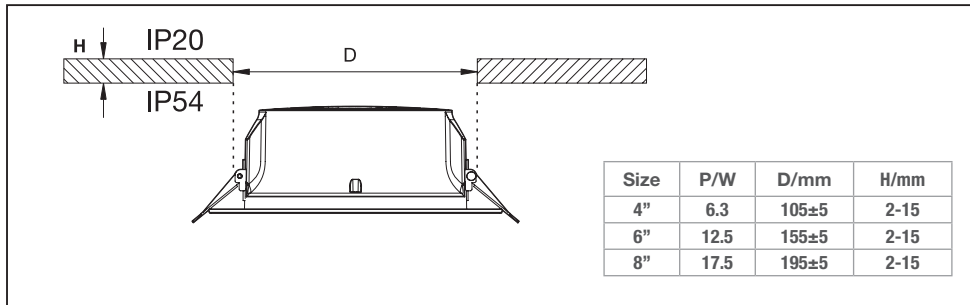
For professional use  
Use only with LEDVANCE LED DRIVER

MODEL	W	K	Ø x H (mm)	IP (exposed part)		Ra	Ta (°C)	VDC	
LDPFM-DL2S-RD04-AM	6.3	3000	112x50	IP54	65°	80	-20~45°C	24V-29V	203g
LDPFM-DL2S-RD04-AM	6.3	4000	112x50	IP54	65°	80	-20~45°C	24V-29V	203g
LDPFM-DL2S-RD04-AM	6.3	6500	112x50	IP54	65°	80	-20~45°C	24V-29V	203g
LDPFM-DL2S-RD06-AM	12.5	3000	160x65	IP54	65°	80	-20~45°C	24V-29V	342g
LDPFM-DL2S-RD06-AM	12.5	4000	160x65	IP54	65°	80	-20~45°C	24V-29V	342g
LDPFM-DL2S-RD06-AM	12.5	6500	160x65	IP54	65°	80	-20~45°C	24V-29V	342g
LDPFM-DL2S-RD08-AM	17.5	3000	200x82	IP54	65°	80	-20~45°C	24V-29V	575g
LDPFM-DL2S-RD08-AM	17.5	4000	200x82	IP54	65°	80	-20~45°C	24V-29V	575g
LDPFM-DL2S-RD08-AM	17.5	6500	200x82	IP54	65°	80	-20~45°C	24V-29V	575g

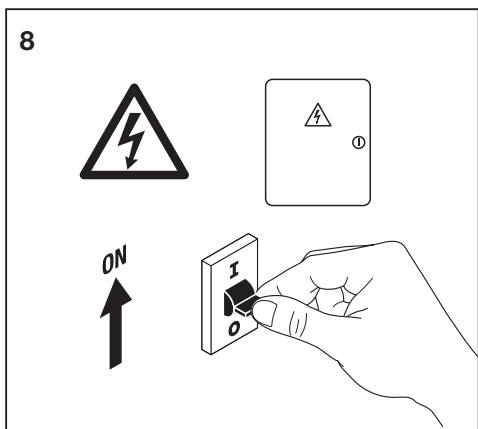
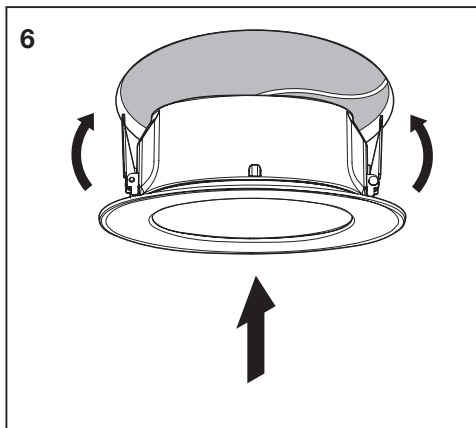
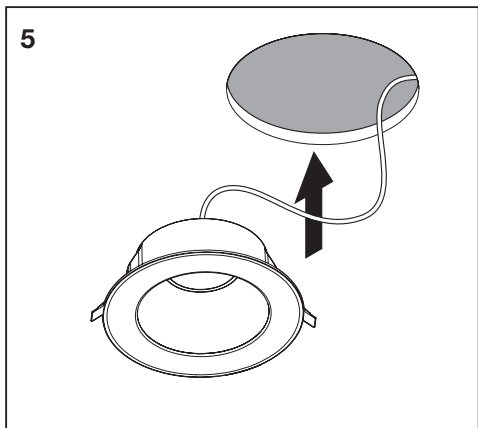


**LEDVANCE**

# LED PERFORMANCE DOWNLIGHT G2S



# LED PERFORMANCE DOWNLIGHT G2S



## WARNING:

- Connect to the power supply in accordance with national regulations.
- This product is designed for Indoor use only.
- This product is to be installed by a licensed electrician in strict accordance with local wiring rules.
- Please note that the fixture is equipped with standard surge protection only. To protect the fixture from sags, surges and lighting strikes, additional surge protectors must be deployed on the primary side.
- This light source contained in this luminaire shall be only be replaced by the manufacturer or his service agent or a similar qualified person.
- If the external flexible cable or cord of this luminaire is damaged, it shall be exclusively replaced by the manufacturer or his service agent or a similar qualified person in order to avoid a hazard.
- For luminaires that are classified as class III, an indication that the controlgear shall be SELV is required.
- Driver maximum output must not exceed 50V.

- يجب استبدال مصدر الضوء الموجود في وحدة الإنارة فقط عن طريق المصنِّع أو وكيل الخدمة أو شخص مؤهل مماثل
- إذا كان الكابل أو السلك الخارجي المرن لهذه الإنارة تالفاً ، يجب استبداله بشكل حصري من قبل الشركة المصنعة أو وكيل الخدمة أو شخص مؤهل مماثل من أجل تجنب الخطر.



Caution,  
risk of electric shock!

Ⓜ LEDVANCE Sdn, Bhd. (1166537-U)  
100.7.009, 129 Offices, Block J, Jaya One  
No. 72A, Jalan Universiti,  
46200 Petaling Jaya,  
Selangor Darul Ehsan, Malaysia

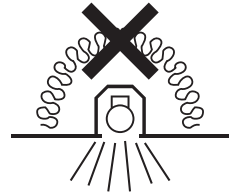
Ⓜ (주)레드밴스  
서울시 강남구 삼성로 554 예성빌딩6층  
(우편번호 06165)  
전화번호: +82 80 4891 700  
www.ledvance.co.kr

Ⓜ LEDVANCE Pte Ltd.  
988 Toa Payoh North, # 03-06,  
Singapore 319002

Ⓜ LEDVANCE Pvt. Ltd.  
1201-1202, 12th Floor, Signature Towers, Tower-A,  
South City-I, Gurugram-122001, Haryana (India)  
Consumer care (Name and address as per above),  
Consumer care Tel. No. 0124-4150100  
E-mail id: customercare@ledvance.com  
www.ledvance.in

Ⓜ LEDVANCE Prosperity Co. Ltd.  
Room 4007-4009 Office Tower,  
Convention Plaza, 1 Harbour Road,  
Wanchai, Hong Kong

Ⓜ LEDVANCE Middle East FZE  
Jebel Ali Free Zone  
JAFZA 16, Office 603  
P.O. Box 17476, Dubai – UAE



Luminaires not suitable  
for covering with thermally  
insulating material.



TIS.1955-2551

Standard  
GB 7000.1  
GB 7000.202  
GB 17743

C10449057  
G11091503  
2020-01-20

www.ledvance.com