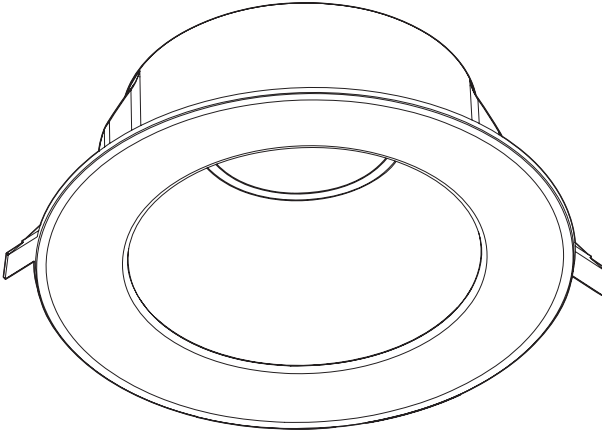




LED PERFORMANCE DOWNLIGHT G2S

داون لایت



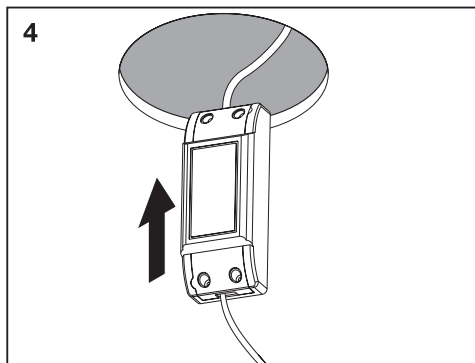
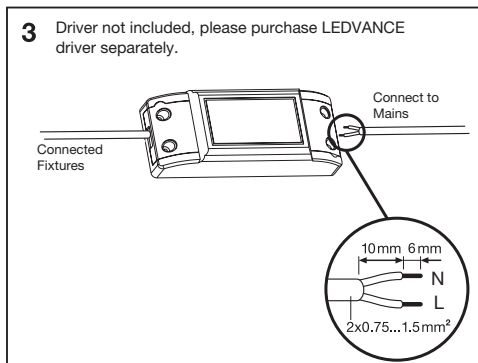
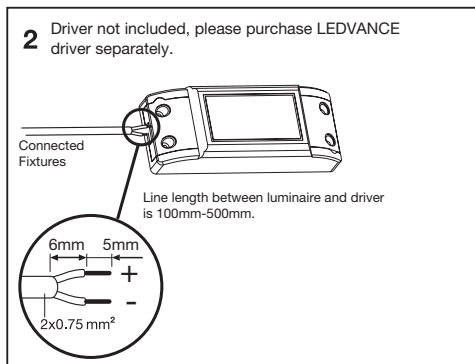
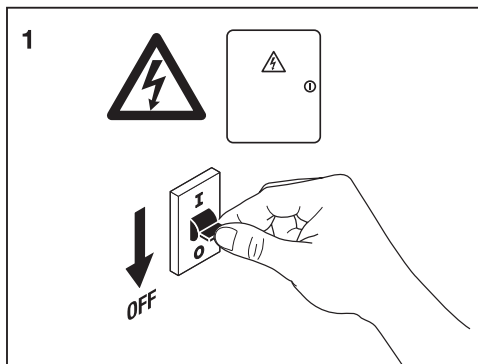
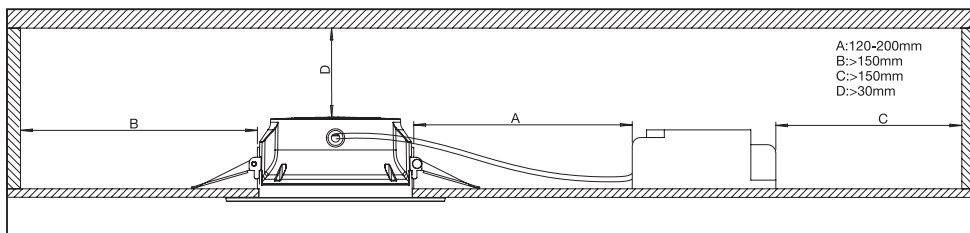
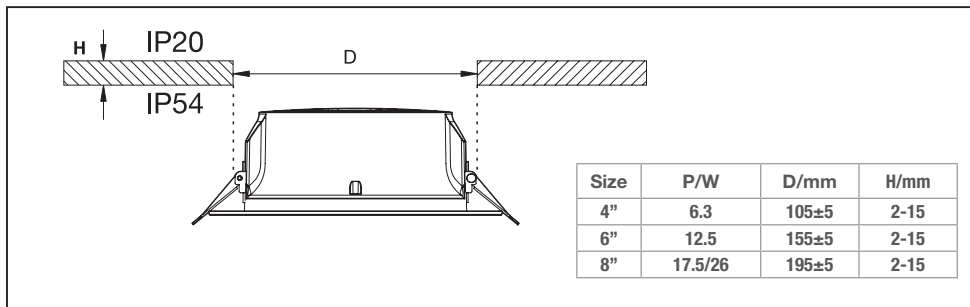
For professional use
Use only with LEDVANCE LED DRIVER

MODEL	W	K	Ø x H (mm)	IP (exposed part)		Ra	Ta (°C)	VDC	
LDPFM-DL2S-RD04-AM	6.3	3000	112 x 50	IP54	65°	80	-20~45°C	24V-29V	203g
LDPFM-DL2S-RD04-AM	6.3	4000	112 x 50	IP54	65°	80	-20~45°C	24V-29V	203g
LDPFM-DL2S-RD04-AM	6.3	6500	112 x 50	IP54	65°	80	-20~45°C	24V-29V	203g
LDPFM-DL2S-RD06-AM	12.5	3000	160 x 65	IP54	65°	80	-20~45°C	24V-29V	342g
LDPFM-DL2S-RD06-AM	12.5	4000	160 x 65	IP54	65°	80	-20~45°C	24V-29V	342g
LDPFM-DL2S-RD06-AM	12.5	6500	160 x 65	IP54	65°	80	-20~45°C	24V-29V	342g
LDPFM-DL2S-RD08-AM	17.5	3000	200 x 82	IP54	65°	80	-20~45°C	24V-29V	575g
LDPFM-DL2S-RD08-AM	17.5	4000	200 x 82	IP54	65°	80	-20~45°C	24V-29V	575g
LDPFM-DL2S-RD08-AM	17.5	6500	200 x 82	IP54	65°	80	-20~45°C	24V-29V	575g
LDPFM-DL2S-RD08HO-AM	26	3000	200 x 82	IP54	65°	80	-20~45°C	37V	620g
LDPFM-DL2S-RD08HO-AM	26	4000	200 x 82	IP54	65°	80	-20~45°C	37V	620g
LDPFM-DL2S-RD08HO-AM	26	6500	200 x 82	IP54	65°	80	-20~45°C	37V	620g

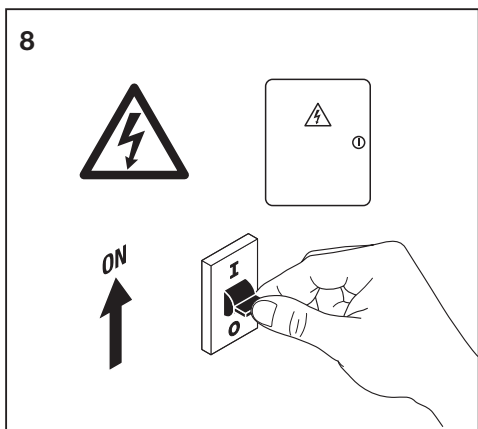
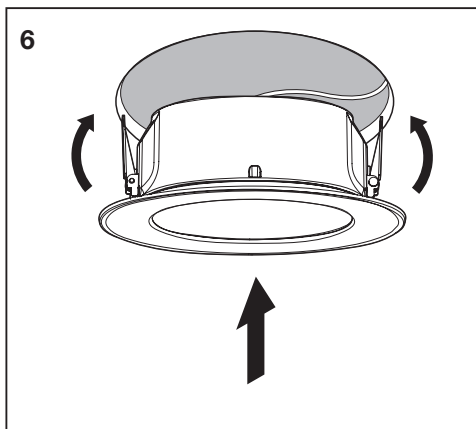
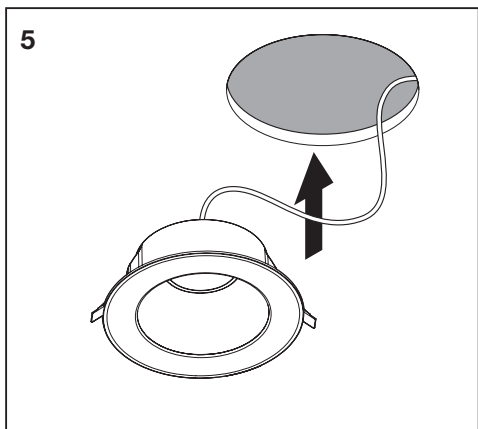


LEDVANCE

LED PERFORMANCE DOWNLIGHT G2S



LED PERFORMANCE DOWNLIGHT G2S



WARNING:

- Connect to the power supply in accordance with national regulations.
- This product is designed for Indoor use only.
- This product is to be installed by a licensed electrician in strict accordance with local wiring rules.
- Please note that the fixture is equipped with standard surge protection only. To protect the fixture from sags, surges and lightning strikes, additional surge protectors must be deployed on the primary side.
- This light source contained in this luminaire shall be only be replaced by the manufacturer or his service agent or a similar qualified person.
- If the external flexible cable or cord of this luminaire is damaged, it shall be exclusively replaced by the manufacturer or his service agent or a similar qualified person in order to avoid a hazard.
- For luminaires that are classified as class III, an indication that the controlgear shall be SELV is required.
- Driver maximum output must not exceed 50V.

- يجب استبدال مصدر الضوء الموجود في وحدة الإنارة فقط عن طريق المصنِّع أو وكيل الخدمة أو شخص مؤهل مماثل
- إذا كان الكابل أو السلك الخارجي المرن لهذه الإنارة تالفاً ، يجب استبداله بشكل حصري من قبل الشركة المصنعة أو وكيل الخدمة أو شخص مؤهل مماثل من أجل تجنب الخطر.



Caution,
risk of electric shock!

Ⓜ LEDVANCE Sdn, Bhd.
(1166537-U)
100.7.009, 129 Offices, Block J,
Jaya One
No. 72A, Jalan Universiti, 46200
Petaling Jaya,
Selangor Darul Ehsan,
Malaysia

Ⓢ LEDVANCE Pte Ltd.
988 Toa Payoh North, # 03-06,
Singapore 319002

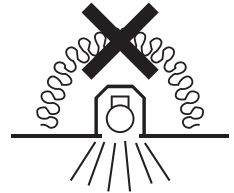
Ⓜ LEDVANCE Pvt. Ltd.
1201-1202, 12th Floor, Signature
Towers, Tower -A, South City -1,
Gurugram - 122001, Haryana
(India)
Consumer care (Name and
address as per above),
Consumer care Tel. No. 0124-
4150100
E-mail id: customercare@
ledvance.com
www.ledvance.in

Ⓜ (주)레드밴스
서울시 강남구 삼성로 554 예성빌딩
6층
(우편번호 06165)
전화번호: +82 80 4891 700
www.ledvance.co.kr

Ⓜ LEDVANCE Prosperity Co. Ltd.
20/F Cornell Centre, 50 Wing Tai
Rd., Chai Wan, Hong Kong

Ⓜ LEDVANCE Middle East FZE
Jebel Ali Free Zone, JAFZA 16,
Office 603
P.O. Box 17476, Dubai – UAE

Ⓜ LEDVANCE Pty Ltd
ABN 34 050 103 181
Suite 2.1A, 394 Lane Cove Road
Macquarie Park NSW 2113,
Australia
Ph +61 29481 8399/1300 467 726
www.ledvance.com.au



Luminaires not suitable
for covering with thermally
insulating material.



Standard
GB 7000.1
GB 7000.202
GB 17743

C10449057
G11097627
2020-04-20

www.ledvance.com