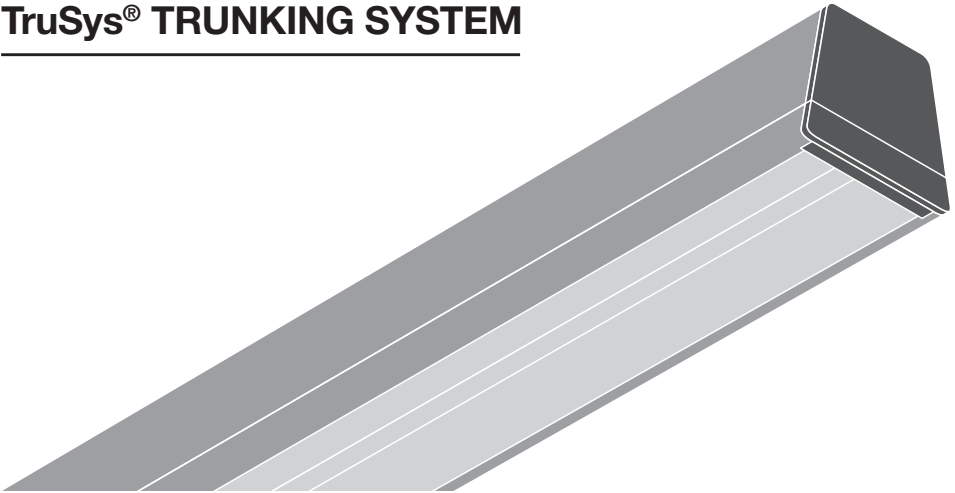
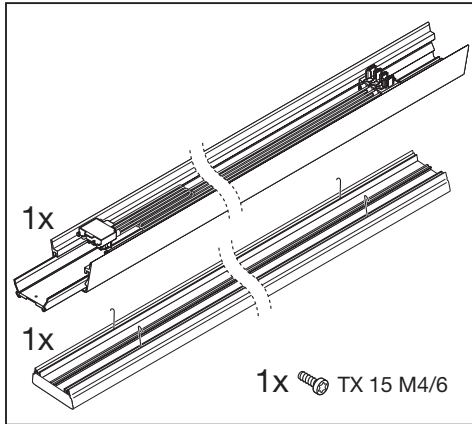


## TruSys® TRUNKING SYSTEM

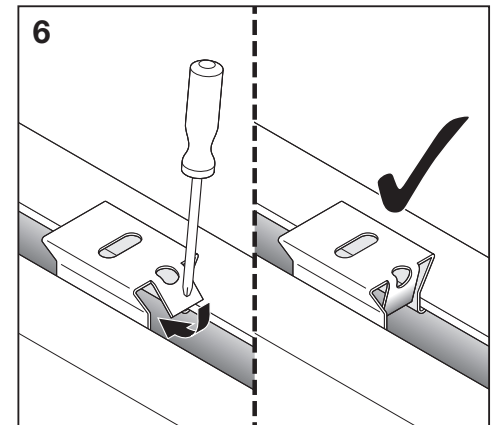
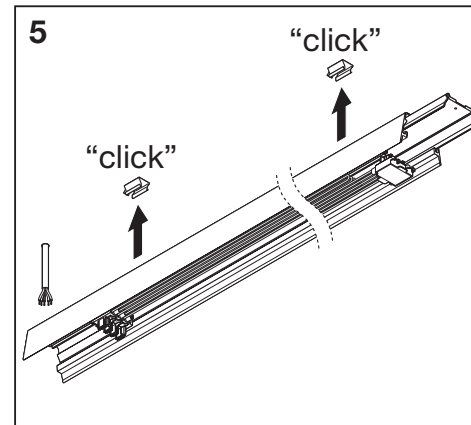
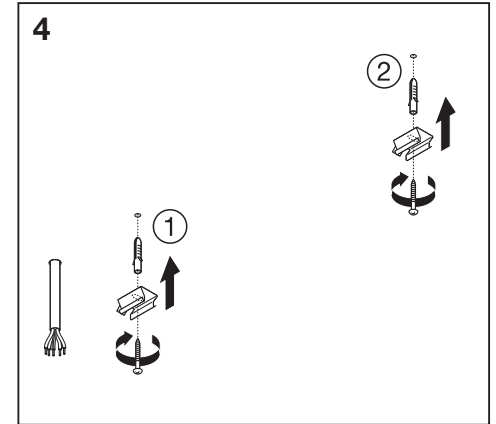
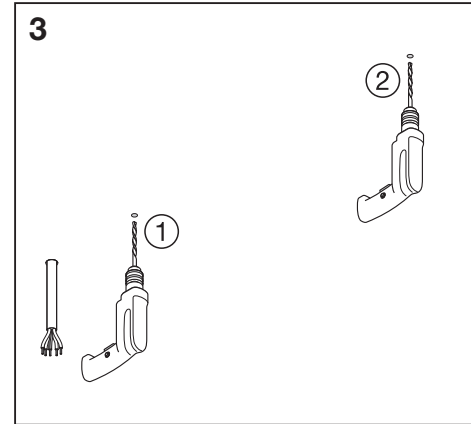
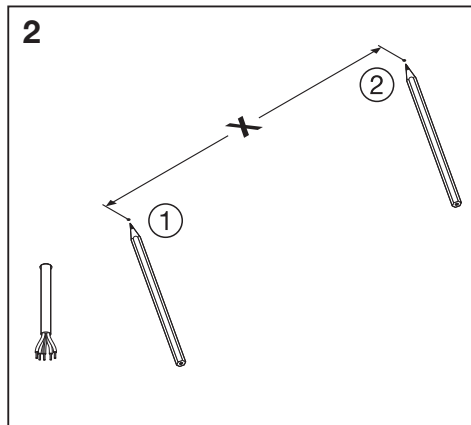
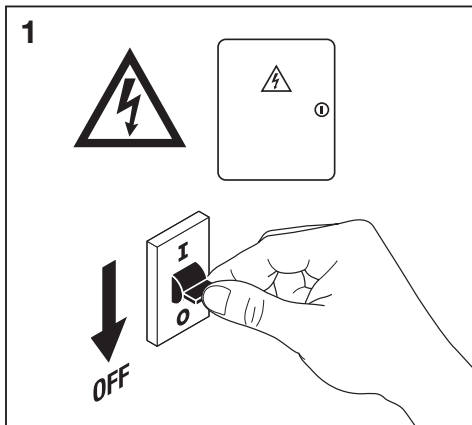
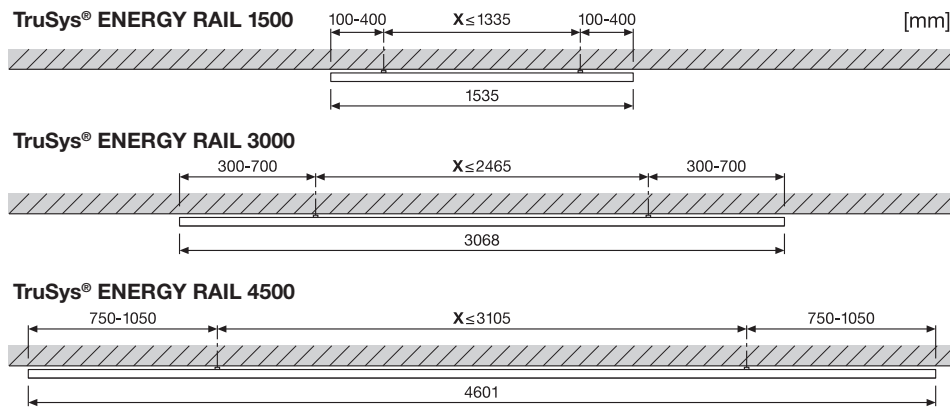
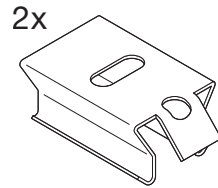


|                                | EAN           | l x w x h [mm] | W  | lm   | lm/W | K    | IP | IK |
|--------------------------------|---------------|----------------|----|------|------|------|----|----|
| TruSys® LED 53W 3000K W SI     | 4058075100459 | 1535 x 71 x 53 | 53 | 6600 | 125  | 3000 | 20 | 07 |
| TruSys® LED 53W 4000K W SI     | 4058075100473 | 1535 x 71 x 53 | 53 | 7200 | 135  | 4000 | 20 | 07 |
| TruSys® LED 53W 6500K W SI     | 4058075100497 | 1535 x 71 x 53 | 53 | 6900 | 130  | 6500 | 20 | 07 |
| TruSys® LED 53W 3000K NFL SI   | 4058075100510 | 1535 x 71 x 53 | 53 | 6200 | 115  | 3000 | 20 | 07 |
| TruSys® LED 53W 4000K NFL SI   | 4058075100534 | 1535 x 71 x 53 | 53 | 6700 | 125  | 4000 | 20 | 07 |
| TruSys® LED 53W 6500K NFL SI   | 4058075100558 | 1535 x 71 x 53 | 53 | 6500 | 125  | 6500 | 20 | 07 |
| TruSys® LED 53W 3000K WW SI    | 4058075100572 | 1535 x 71 x 53 | 53 | 5700 | 110  | 3000 | 20 | 07 |
| TruSys® LED 53W 4000K WW SI    | 4058075100596 | 1535 x 71 x 53 | 53 | 6300 | 120  | 4000 | 20 | 07 |
| TruSys® LED 53W 6500K WW SI    | 4058075100619 | 1535 x 71 x 53 | 53 | 6100 | 115  | 6500 | 20 | 07 |
| TruSys® LED 53W 3000K DA SI    | 4058075100633 | 1535 x 71 x 53 | 53 | 6400 | 120  | 3000 | 20 | 07 |
| TruSys® LED 53W 4000K DA SI    | 4058075100657 | 1535 x 71 x 53 | 53 | 6900 | 130  | 4000 | 20 | 07 |
| TruSys® LED 53W 6500K DA SI    | 4058075100671 | 1535 x 71 x 53 | 53 | 6700 | 125  | 6500 | 20 | 07 |
| TruSys® ENERGY RAIL 1500 5X2,5 | 4058075100299 | 1535 x 67 x 44 | -  | -    | -    | -    | 20 | 07 |
| TruSys® ENERGY RAIL 3000 5X2,5 | 4058075100312 | 3068 x 67 x 44 | -  | -    | -    | -    | 20 | 07 |
| TruSys® ENERGY RAIL 4500 5X2,5 | 4058075100336 | 4601 x 67 x 44 | -  | -    | -    | -    | 20 | 07 |

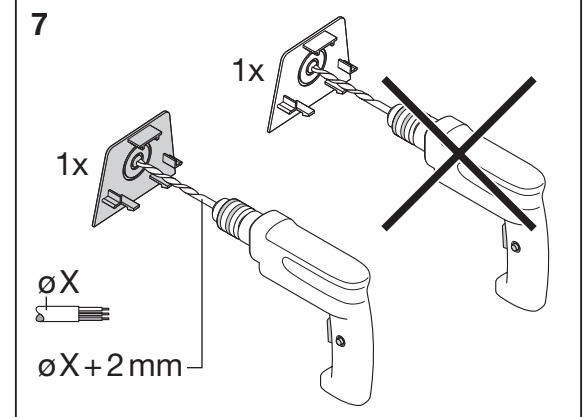
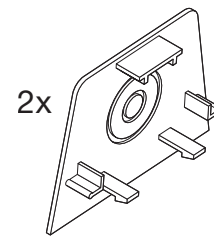
|                                | EAN           | ꞑ (°C)    | V <sub>AC</sub> | Hz       | ∇       | PF     | R <sub>a</sub> | ⚖      |
|--------------------------------|---------------|-----------|-----------------|----------|---------|--------|----------------|--------|
| TruSys® LED 53W 3000K W SI     | 4058075100459 | -20...+45 | 220-240V        | 50/60 Hz | 105°    | > 0.95 | > 80           | 1.7 kg |
| TruSys® LED 53W 4000K W SI     | 4058075100473 | -20...+45 | 220-240V        | 50/60 Hz | 105°    | > 0.95 | > 80           | 1.7 kg |
| TruSys® LED 53W 6500K W SI     | 4058075100497 | -20...+45 | 220-240V        | 50/60 Hz | 105°    | > 0.95 | > 80           | 1.7 kg |
| TruSys® LED 53W 3000K NFL SI   | 4058075100510 | -20...+45 | 220-240V        | 50/60 Hz | 25°     | > 0.95 | > 80           | 1.7 kg |
| TruSys® LED 53W 4000K NFL SI   | 4058075100534 | -20...+45 | 220-240V        | 50/60 Hz | 25°     | > 0.95 | > 80           | 1.7 kg |
| TruSys® LED 53W 6500K NFL SI   | 4058075100558 | -20...+45 | 220-240V        | 50/60 Hz | 25°     | > 0.95 | > 80           | 1.7 kg |
| TruSys® LED 53W 3000K WW SI    | 4058075100572 | -20...+45 | 220-240V        | 50/60 Hz | 45°     | > 0.95 | > 80           | 1.7 kg |
| TruSys® LED 53W 4000K WW SI    | 4058075100596 | -20...+45 | 220-240V        | 50/60 Hz | 45°     | > 0.95 | > 80           | 1.7 kg |
| TruSys® LED 53W 6500K WW SI    | 4058075100619 | -20...+45 | 220-240V        | 50/60 Hz | 45°     | > 0.95 | > 80           | 1.7 kg |
| TruSys® LED 53W 3000K DA SI    | 4058075100633 | -20...+45 | 220-240V        | 50/60 Hz | 2 x 35° | > 0.95 | > 80           | 1.7 kg |
| TruSys® LED 53W 4000K DA SI    | 4058075100657 | -20...+45 | 220-240V        | 50/60 Hz | 2 x 35° | > 0.95 | > 80           | 1.7 kg |
| TruSys® LED 53W 6500K DA SI    | 4058075100671 | -20...+45 | 220-240V        | 50/60 Hz | 2 x 35° | > 0.95 | > 80           | 1.7 kg |
| TruSys® ENERGY RAIL 1500 5X2,5 | 4058075100299 | -20...+45 | 220-240V        | 50/60 Hz | -       | > 0.95 | > 80           | 1.5 kg |
| TruSys® ENERGY RAIL 3000 5X2,5 | 4058075100312 | -20...+45 | 220-240V        | 50/60 Hz | -       | > 0.95 | > 80           | 3.0 kg |
| TruSys® ENERGY RAIL 4500 5X2,5 | 4058075100336 | -20...+45 | 220-240V        | 50/60 Hz | -       | > 0.95 | > 80           | 4.5 kg |



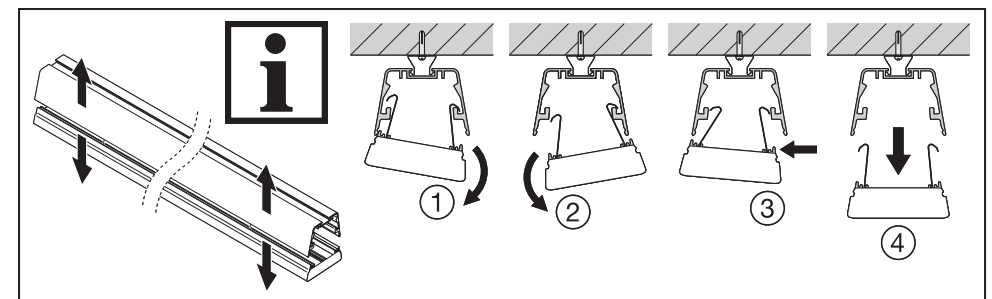
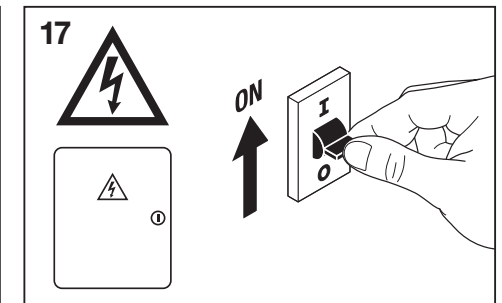
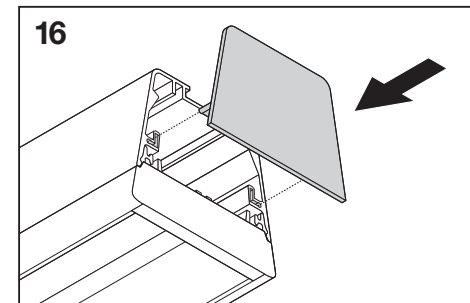
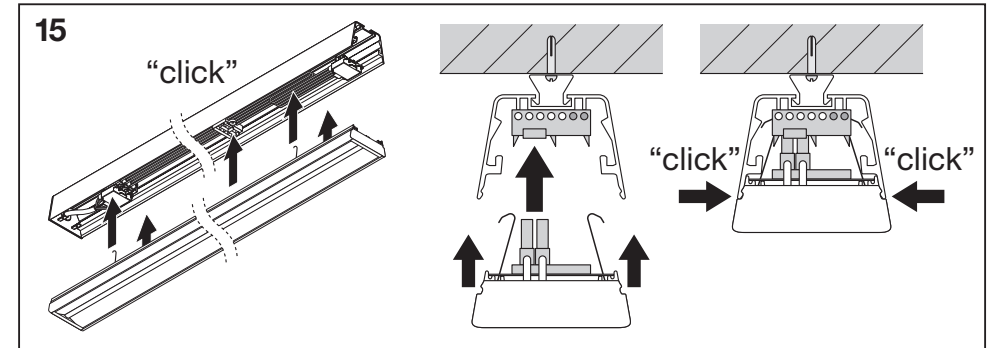
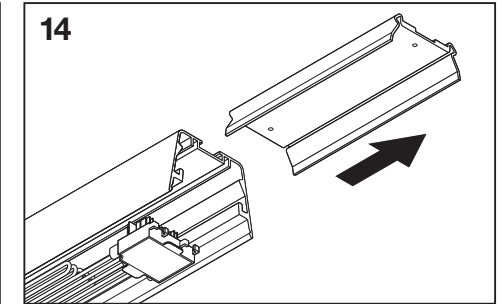
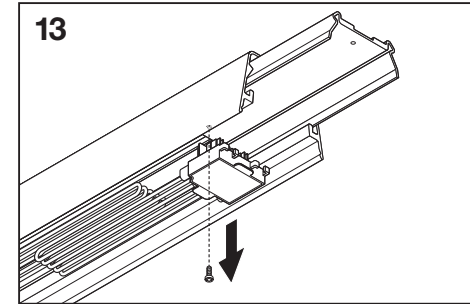
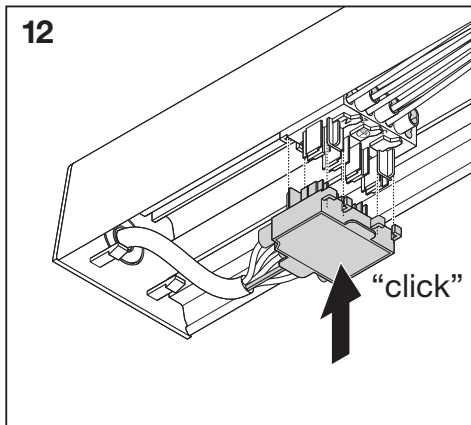
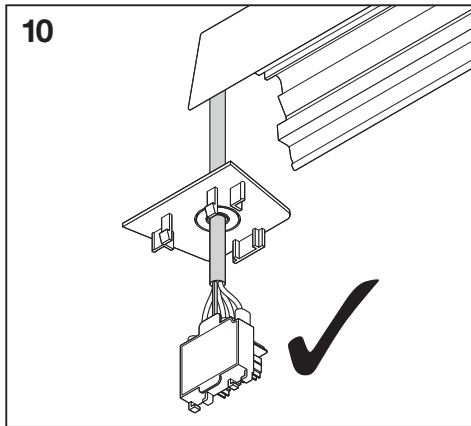
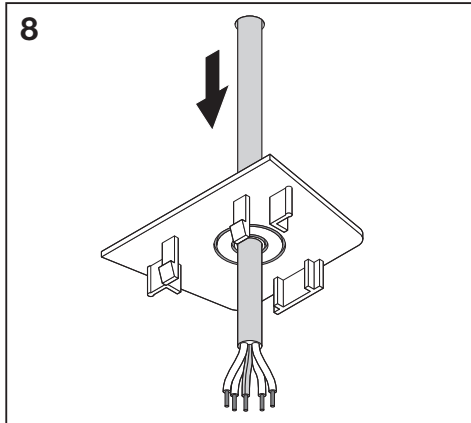
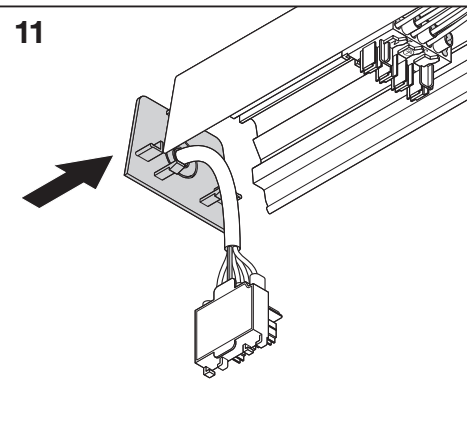
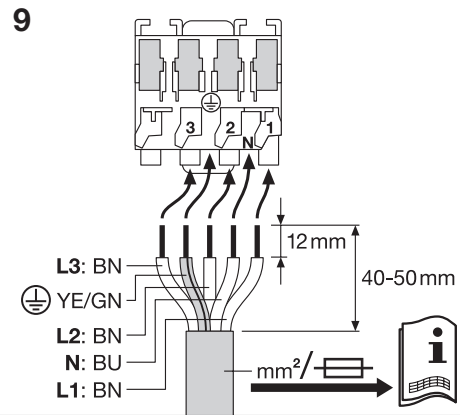
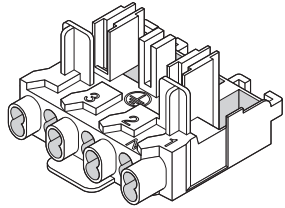
TruSys®  
MOUNTING BRACKETS  
EAN 4058075100435



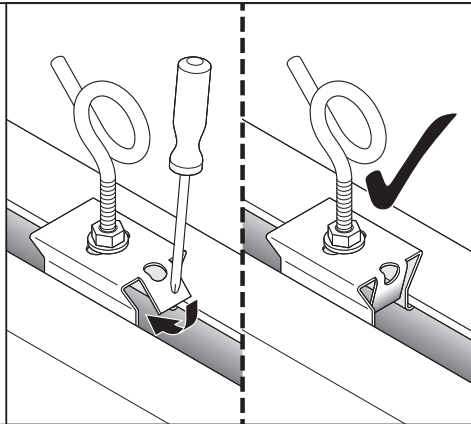
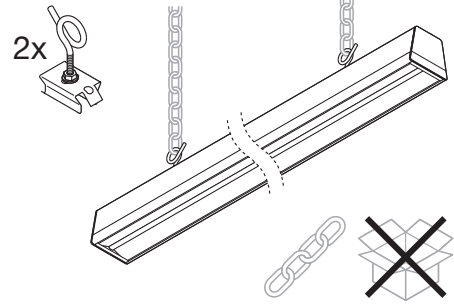
TruSys® ENDCAPS  
EAN 4058075100411



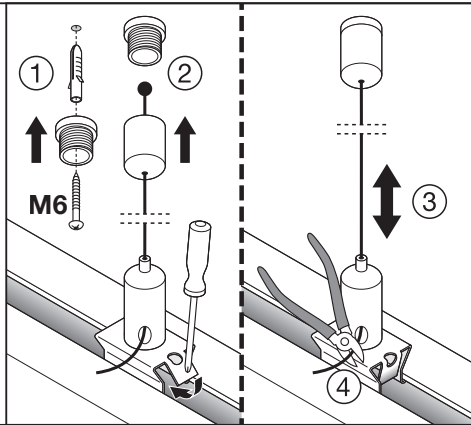
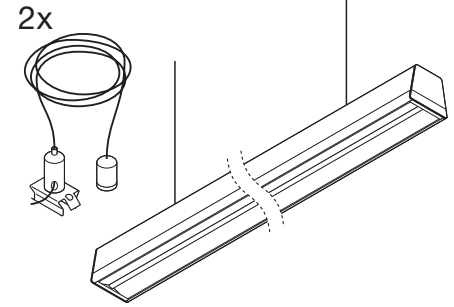
**TruSys®  
ELECTRICAL CONNECTOR**  
EAN 4058075155565



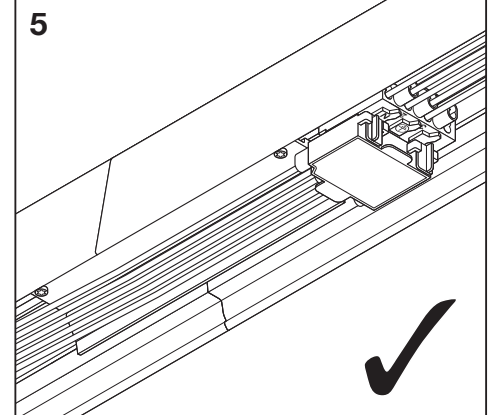
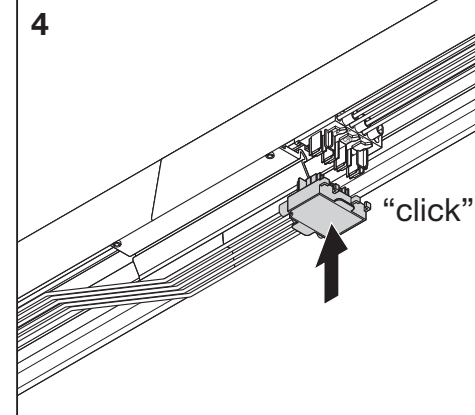
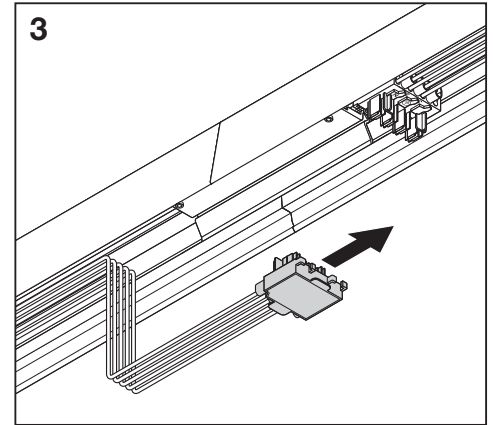
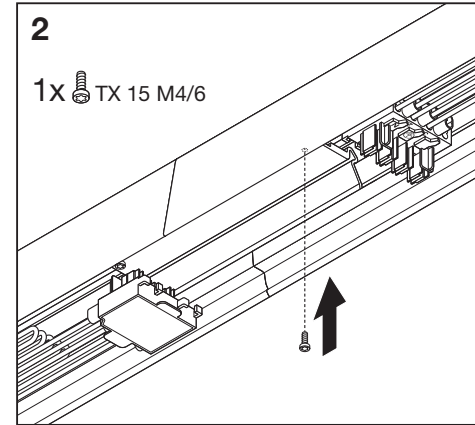
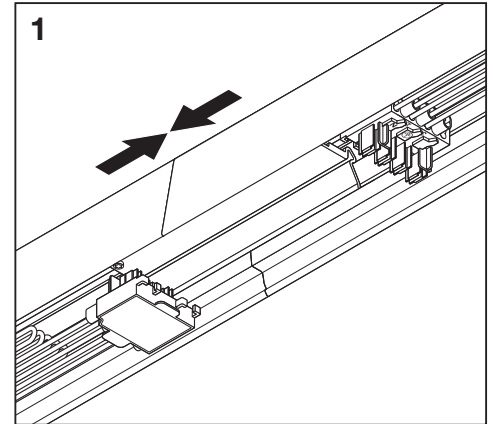
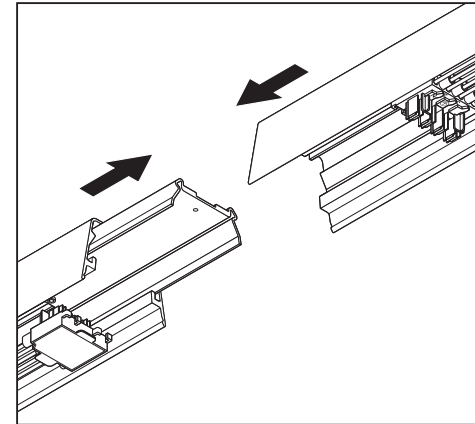
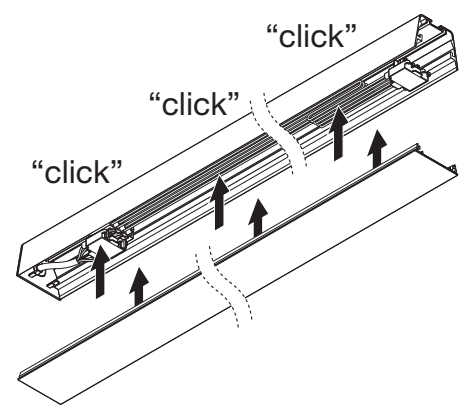
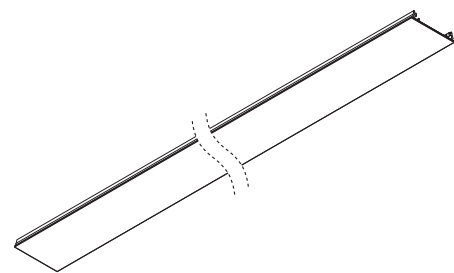
TruSys® CHAIN KIT  
EAN 4058075100374

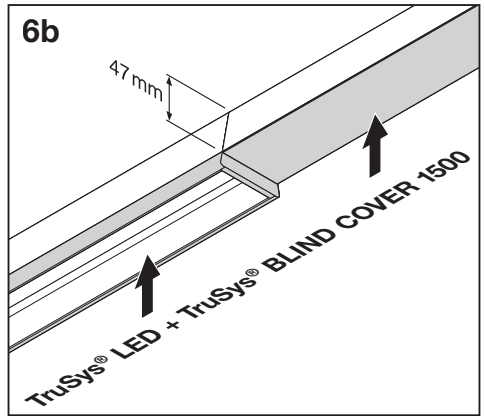
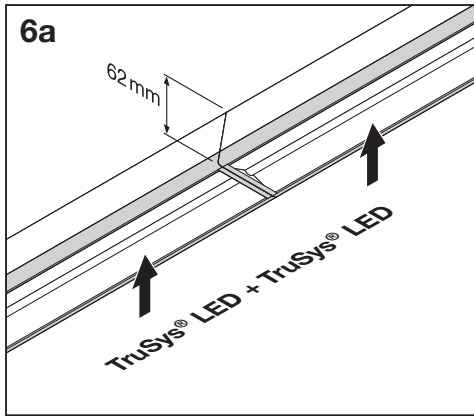


TruSys® SUSPENSION KIT  
EAN 4058075100350

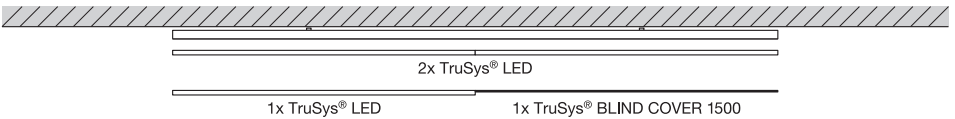


TruSys® BLIND COVER 1500  
EAN 4058075100398

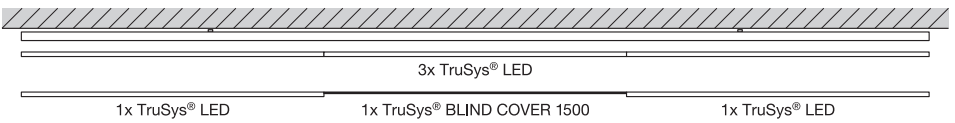




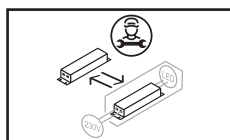
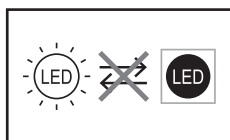
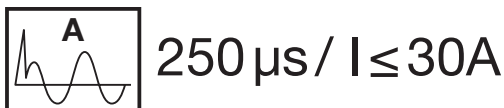
**TruSys® ENERGY RAIL 3000**



**TruSys® ENERGY RAIL 4500**



|                                       | ~ 230V / ~ 243mA / ~ 53W / PF ~ 0.95 |                    |                    |                    |                    |                    |
|---------------------------------------|--------------------------------------|--------------------|--------------------|--------------------|--------------------|--------------------|
|                                       | <b>C10</b>                           | <b>C13</b>         | <b>C16</b>         | <b>B10</b>         | <b>B13</b>         | <b>B16</b>         |
|                                       | 1.5mm <sup>2</sup>                   | 1.5mm <sup>2</sup> | 1.5mm <sup>2</sup> | 1.5mm <sup>2</sup> | 1.5mm <sup>2</sup> | 1.5mm <sup>2</sup> |
| <b>LC 57W 800-1050mA flexC Ip ADV</b> | n=15                                 | n=20               | n=27               | n=9                | n=12               | n=16               |



C10449058  
G11054129V2  
09.04.21



**LEDVANCE GmbH**  
Steinerne Furt 62  
86167 Augsburg, Germany  
[www.ledvance.com](http://www.ledvance.com)