

LEDVANCE.COM



LEDVANCE PERFORMANCE CLASS STREETLIGHT FLEX

LEDVANCE is licensee of product trademark OSRAM for lamps products in general lighting.



MEET LEDVANCE PERFORMANCE CLASS STREETLIGHT FLEX

Good street lighting has to combine different requirements. Modern luminaire concepts help improve the quality of light and therefore traffic safety, lower costs for energy and maintenance, and reduce unwanted light pollution, for example in living rooms or in the night sky.

EFFICIENT, DURABLE AND FLEXIBLE

High performance, safe, sustainable and attractive road lighting Luminaire that enables you to save on energy and resources, optimize maintenance efficiency, while getting you ready for the digital age. Designed exclusively for roads and streets to meet the highest performance and safety specifications



FEATURES & BENEFITS

- Quality features to be taken into account include luminance, illuminance, uniformity and glare limitation as well as the illumination of surrounding areas
- Voltage Surge Protection 10kV or 15kV (L-N) options
- Color Rendering Index (Ra) >70
- Wattage range from 9W to 320W up to 159 lm/W
- Luminaire Lifetime: 100,000 hours (L90B10):
- Operating temperature: -30°C up to +55°C
- Guarantee: 5 or 8 years standard options. 10 years extended options
- Tool free maintenance.
- Smart city simplified integration options including optional NEMA 5-7 pin receptacle and optional 4-pin contacts Zaghera book 18 receptacle

PRODUCT FEATURES

Explore the features of the LEDVANCE Performance Streetlight Flex.



Flexible Lighting Configurations & Tailor-Made Options

350mA, 500mA & 700mA options enable you to achieve the required flux and ensure the best balance between operational life, maintained flux and energy costs. You can target High efficacy requirements, ensure an attractive saving or target the most economical solution that suits your project requirements.



Professional Lighting Distribution Optics

High efficiency lighting optics (RV30,RV31,RV40,RV41,RV42, RW30, RW31,RW42) with outstanding performance to maximize the lighting design efficiency.

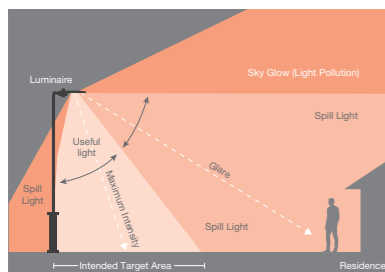


Excellent Surge Protection Features

The LEDVANCE Performance Streetlight Flex product family is designed with extra protection against surges and overvoltage in the system. The product includes a high-performance driver that has extremely high surge protection specifications as well as a separate SPD to protect and prevent the surges from damaging the luminaire sensitive components.

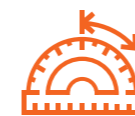
Dark-Sky Friendly Lighting Design

The LEDVANCE Performance Streetlight Flex's design relies on optics and control options to let users direct the right amount of light where it is required. The product's directed optical design eliminates upwards light which ultimately reduces light pollution and helps achieve efficiency goals.



High-Power ceramic LEDs

Flexible options of LEDs including High-Power ceramic LEDs or Mid-Power LEDs help to maximize the efficiency, lifetime, cost and energy saving.



The Spigot

Suitable for Post-top and side entry installation -15° to $+15^\circ$ steps of 2.5°



Modular design arrangement

Module Assembly concept of PCB leads to more convenient maintenance



TOOL FREE MAINTENANCE

Thanks to advanced clips design, separate gear.



ENTIRELY STREAMLINE APPEARANCE DESIGN

Clear and smooth leads to dust free and easy cleaning.



ULTRA-TRANSPARENCY GLASS

Provides very high light transmittance and protect the lens from high temperature and deterioration



PROFESSIONAL LIGHTING DISTRIBUTIONS

Provides uniformity and less glare

APPLICATION AREAS



RESIDENTIAL AREA



HIGHWAYS



INDUSTRIAL AREA



RING ROAD



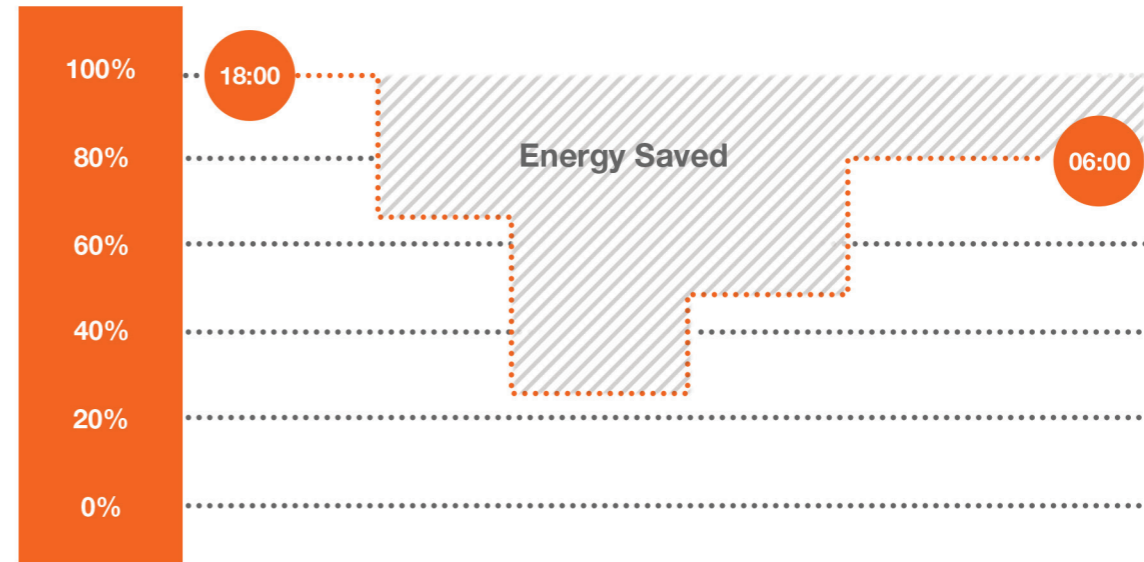
CAR PARK



MOTOR WAYS

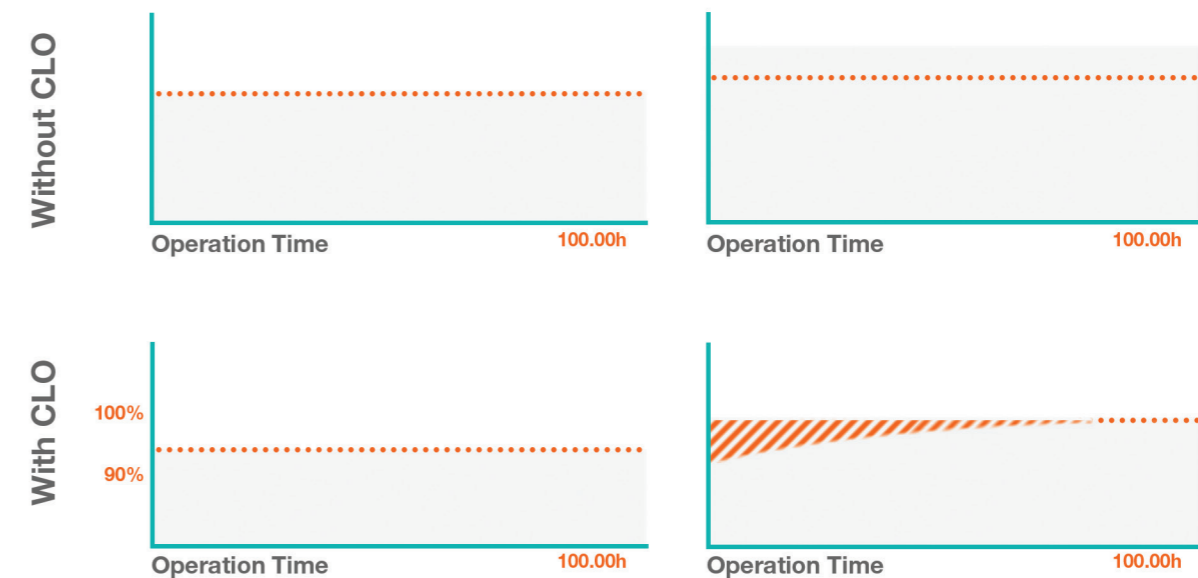
SMART PRESET DIMMING

MULTI-STEP TIME-BASED DIMMING



LEDVANCE Pro programmable driver incorporates the multi-step dimming feature with 5 steps which will maximize energy savings by providing the different preset levels of light throughout the night. The times and light levels are fully flexible to suit the required lighting profile as per the client request.

CONSTANT LIGHT OUTPUT



LEDVANCE Pro programmable driver can be programmed to ensure that the LEDs will always deliver the necessary light level, by increasing the operating current over time to compensate for the LED lumen depreciation. This is achieved by taking in considering the expected LMF as an additional light and take it away at the beginning to produce extra energy saving and extend the lifetime of the system.

LIGHT DISTRIBUTION DETAILS

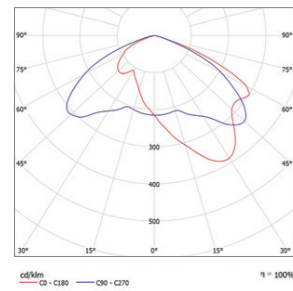
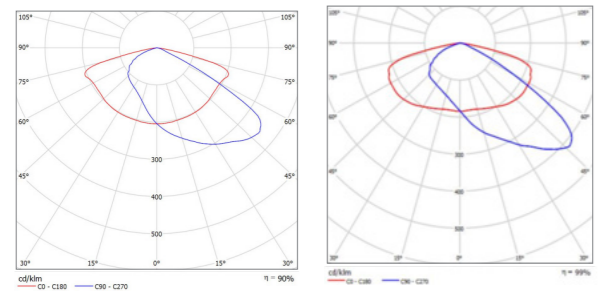
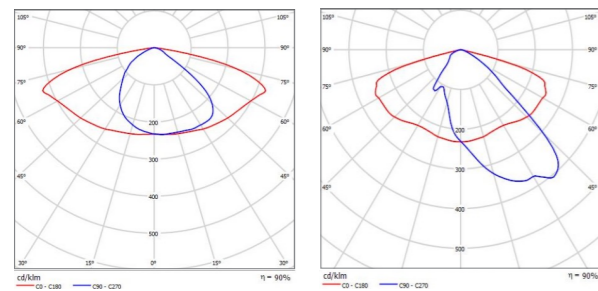
WIDE CHOICE OF HIGH EFFICIENCY OPTICS

With different lumen packages up to 8 optics covering narrow, medium and wide distributions that cover most of the road lighting applications. Specialized optics with excellent longitudinal and Transverse luminance uniformity fulfilling EN13201 M-class requirements.

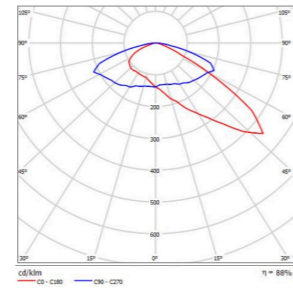
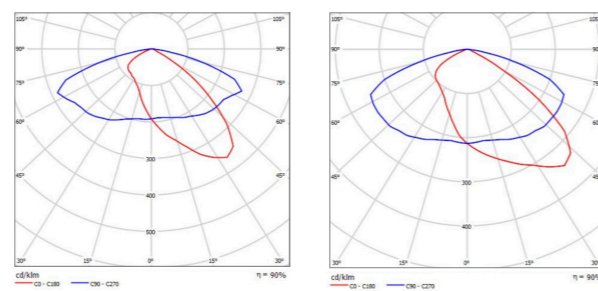
- Up to ME1 lighting class applications
- Dark sky friendly, no upward light



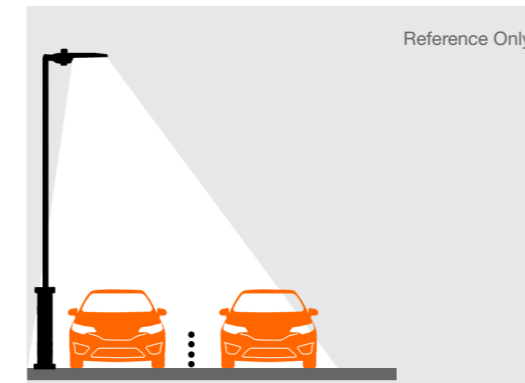
High Power Optics



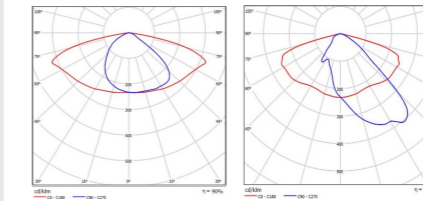
Mid Power Optics



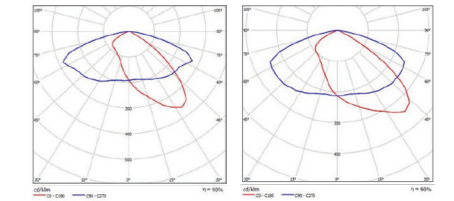
LIGHT DISTRIBUTION DETAILS



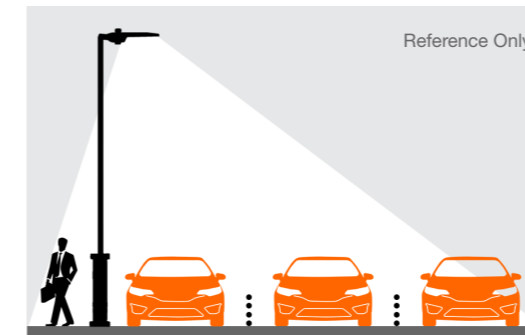
High Power Optics



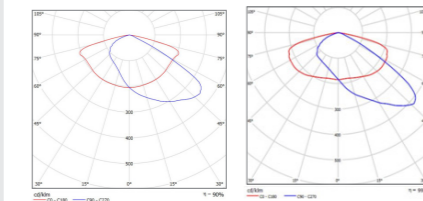
Mid Power Optics



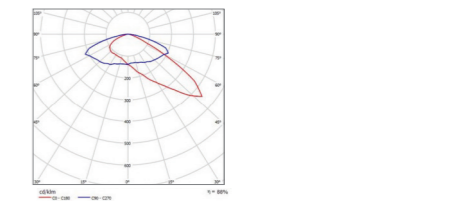
Medium lens of Performance Class Streetlight Flex is used for Residential, Highway and Bridge applications that minimize the back of pole light and maximize in front of the pole light. Suitable for 2 to 3 lanes roads



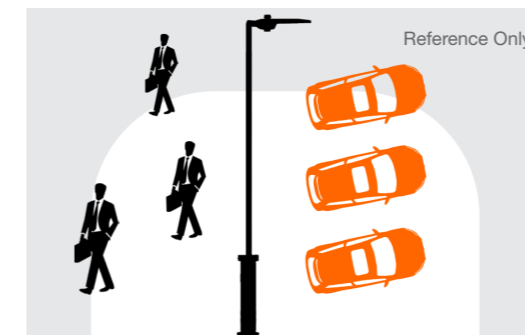
High Power Optics



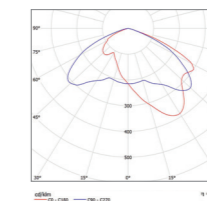
Mid Power Optics



Wide lens of Performance Class Streetlight Flex is used for Residential, Highway and Bridge applications to maximize in front of the pole light and the forward throw of light. Suitable for 3 to 4 lanes roads with less glare.

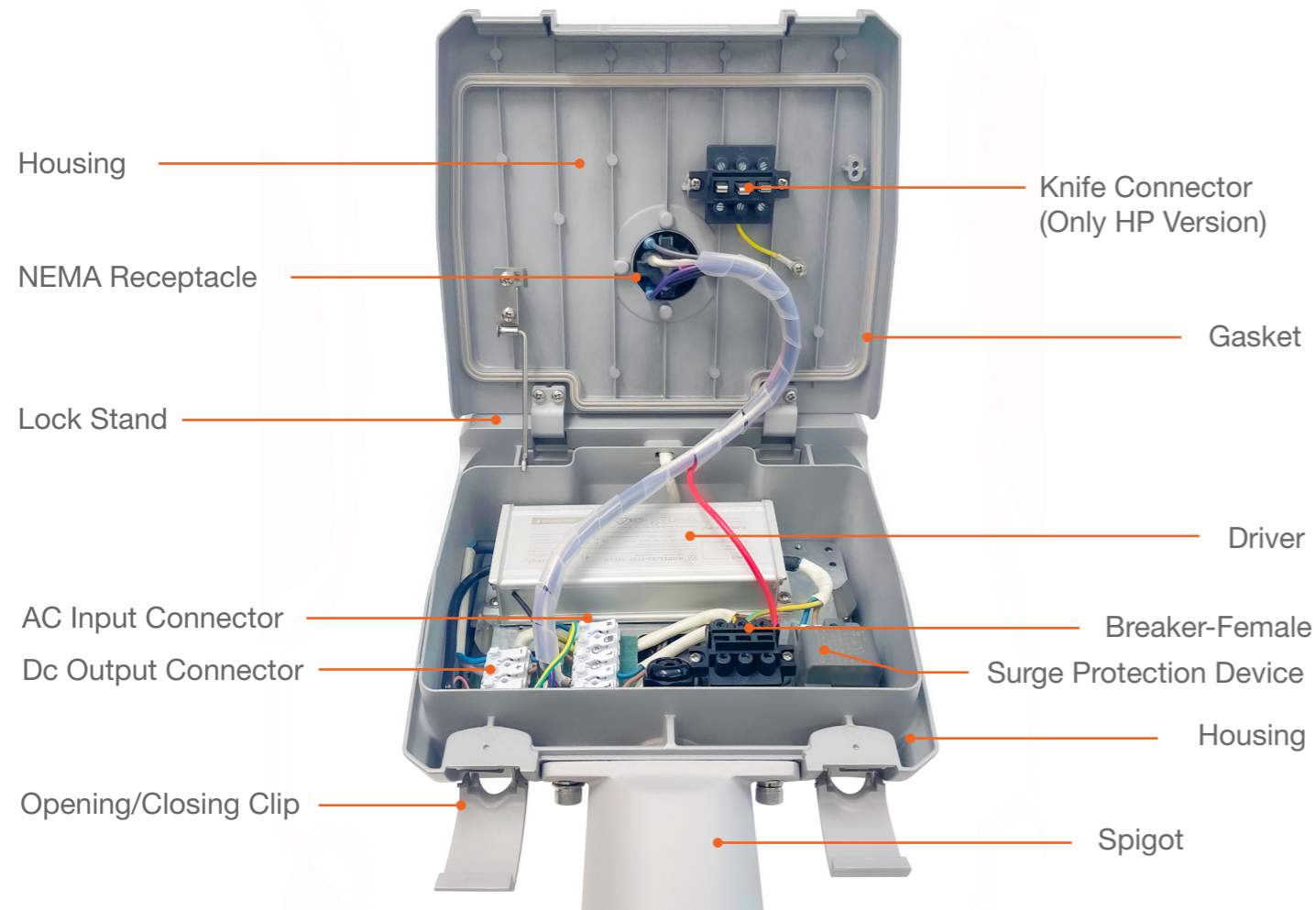


High Power Optics



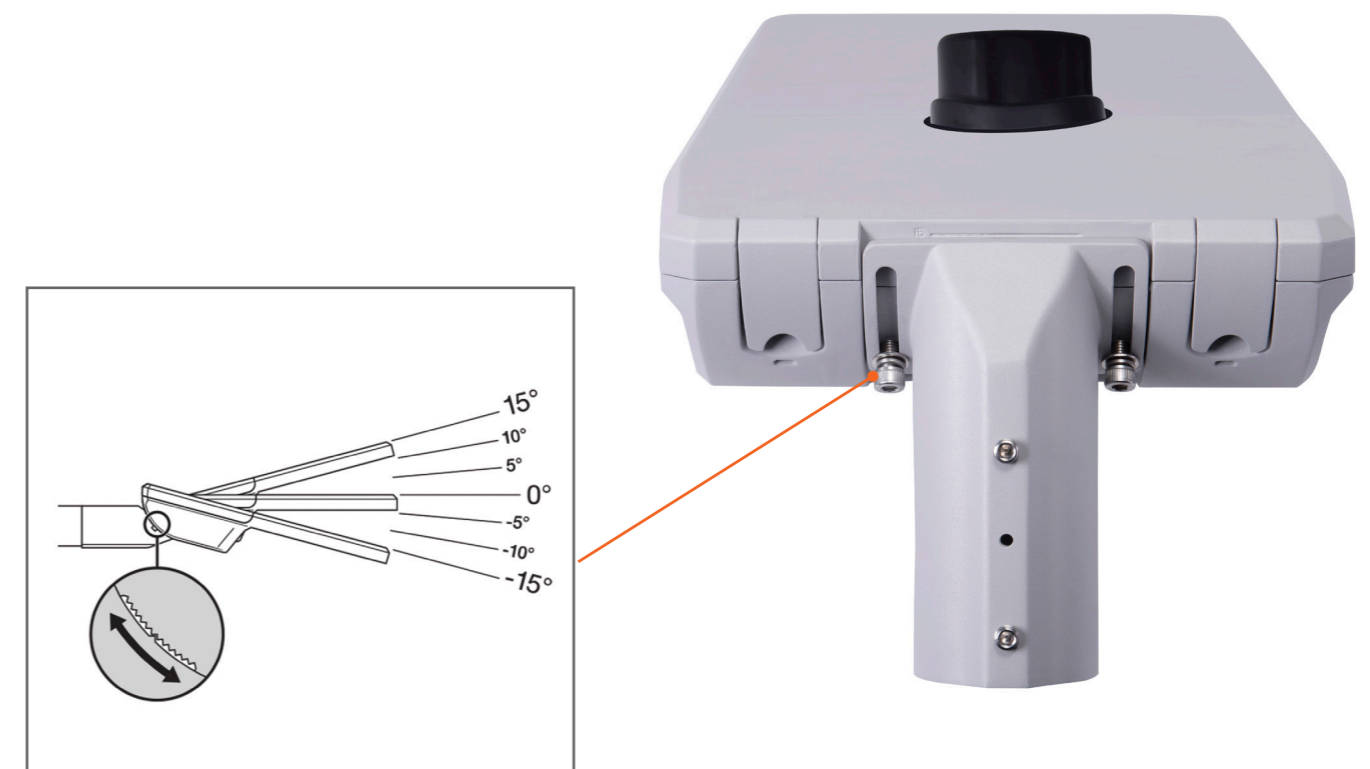
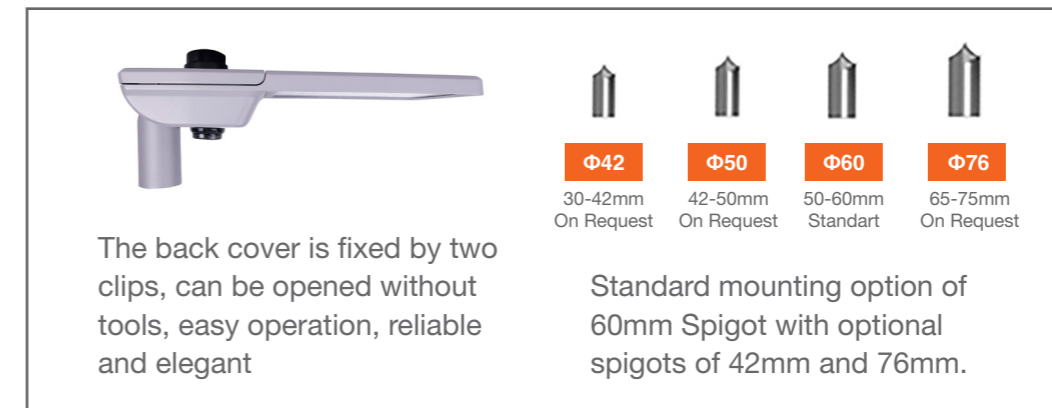
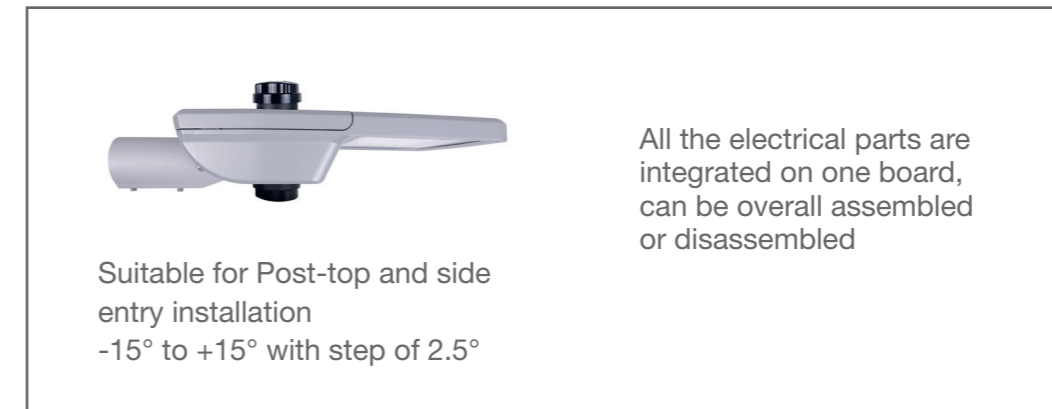
Area lighting lens of Performance Class Streetlight Flex is used for large area lighting such as parking.

COMPONENTS



MOUNTING OPTIONS

The sawtooth construction between housing and socket to adjust the installation angle, meanwhile enhance the mechanical strength

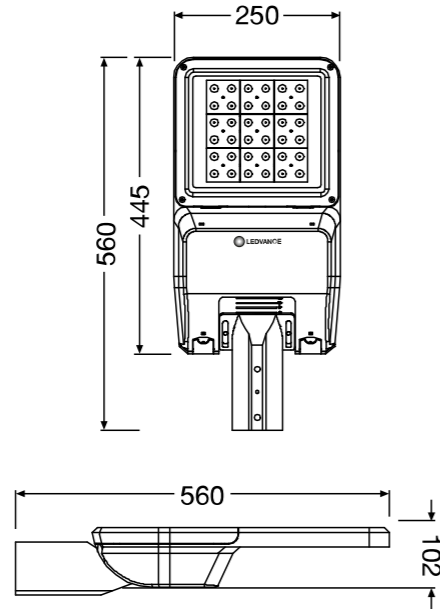


HOUSING VERSIONS

Mini

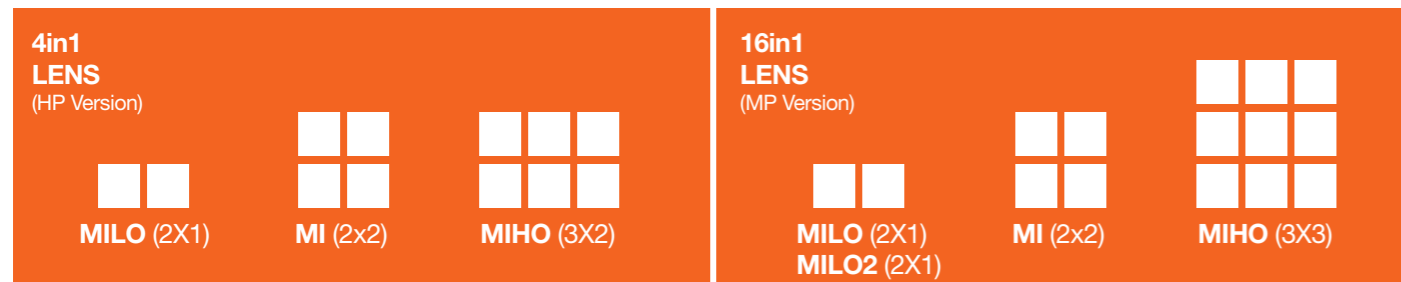
Up to 53W
(HP Version)

Standard Types
8 LEDs | 9W ~ 19W
16 LEDs | 17W ~ 35W
24 LEDs | 25W ~ 53W
 Up to 7,000 lm



Up to 72W
(MP Version)

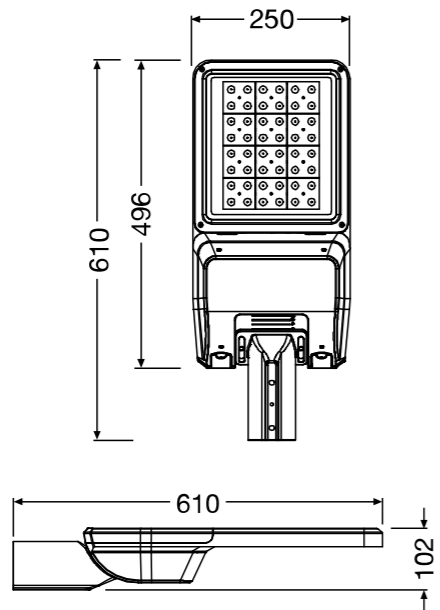
Standard Types
24LEDs | 13W
28LEDs | 21W
54LEDs | 42W
96LEDs | 72W
 Up to 10,080 lm



Small

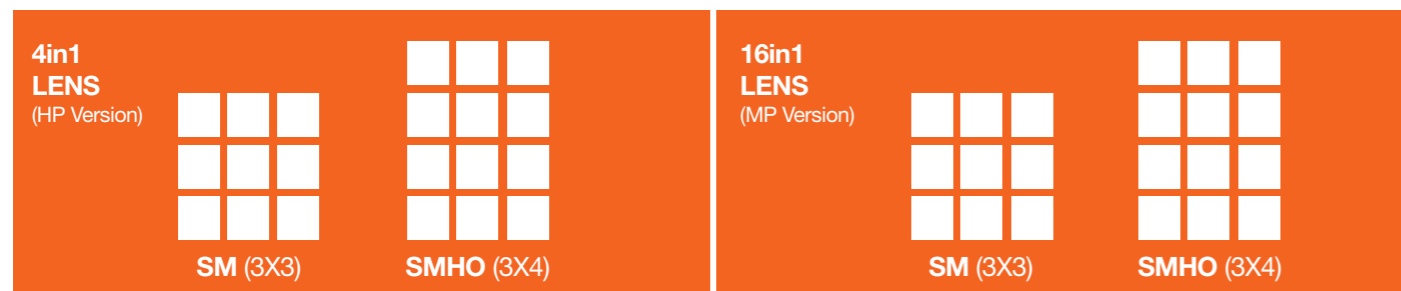
Up to 102W
(HP Version)

Standard Types
36 LEDs | 37W ~ 78W
48 LEDs | 48W ~ 102W
 Up to 13,559 lm



Up to 120W
(MP Version)

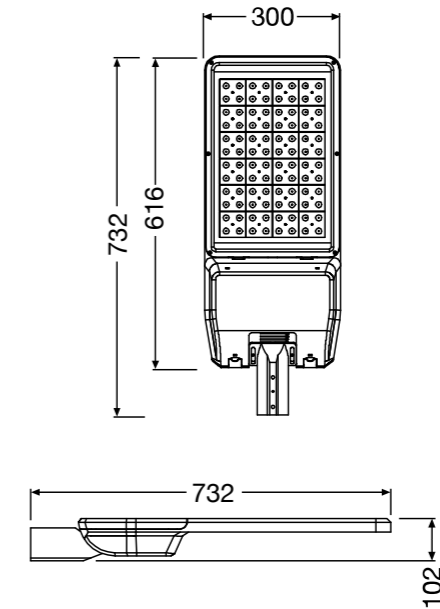
Standard Types
120 LEDs | 90W
150 LEDs | 120W
 Up to 16,800 lm



Medium

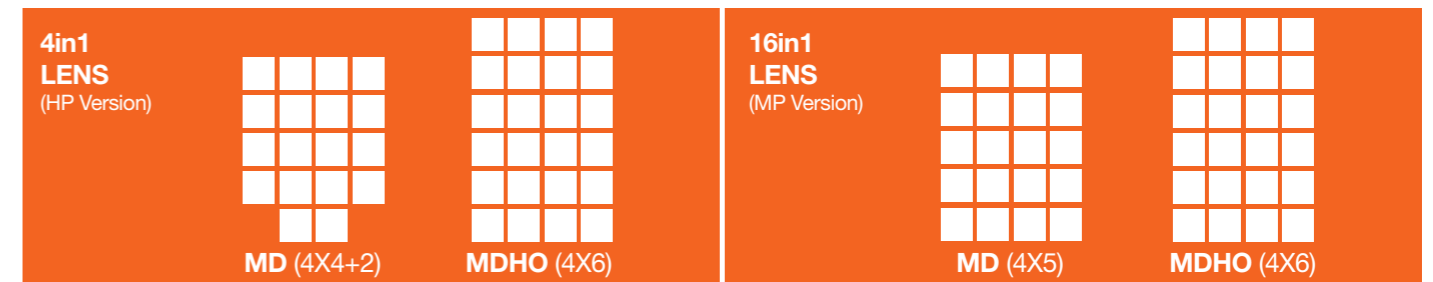
Up to 189W
(HP Version)

Standard Types
72 LEDs | 73W ~ 153W
90 LEDs | 90W ~ 189W
 Up to 25,722 lm



Up to 210W
(MP Version)

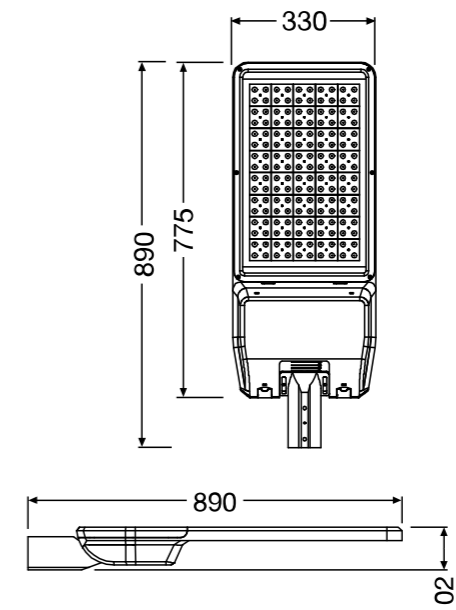
Standard Types
230 LEDs | 179W
276 LEDs | 210W
 Up to 29,400 lm



Large

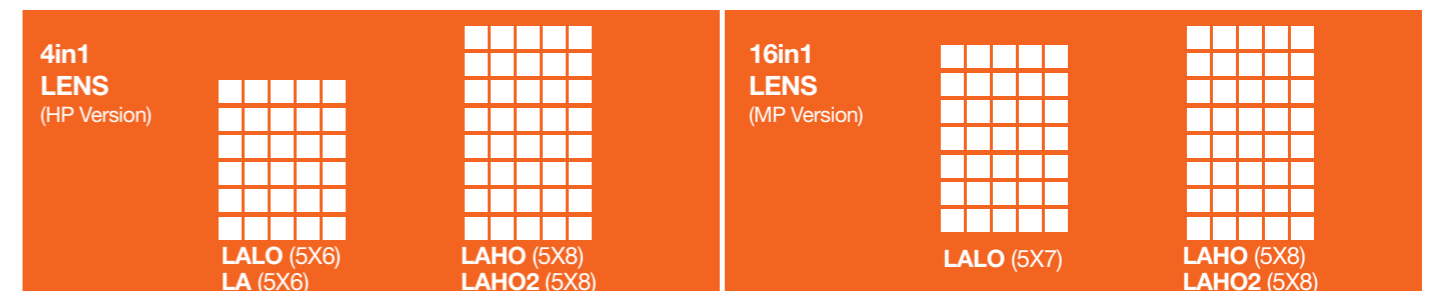
Up to 273W
(HP Version)

Standard Types
110 LEDs | 109W ~ 231W
120 LEDs | 119W ~ 252W
130 LEDs | 130W ~ 273W
150 LEDs | 240W ~ 320W
160 LEDs | 270W
 Up to 44,000 lm



Up to 320W
(MP Version)

Standard Types
360 LEDs | 256W
396 LEDs | 300W
432 LEDs | 320W
 Up to 46,060 lm



PRODUCT SPECIFICATIONS



LEDVANCE® Performance Streetlight Flex @4000K		Mini			Small			Medium			Large		
Electrical	Voltage range	100 - 277VAC, 50/60Hz (HP Version) / 120 - 277VAC, 50/60Hz (MP Version)											
	Power factor	>0.95 (HP Version) / >0.90 (MP Version)											
	Surge protection	15KV (L-N) (HP Version) / 10KV (L-N) (MP Version)											
	Protection class	Class I											
Optical	Model (HP Version)	-	MILO	MI	MIHO	SM	SMHO	MD	MDHO	LALO	LA	LAHO	LAHO2
	Model (MP Version)	MILO2	MILO	MI	MIHO	SM	SMHO	MD	MDHO	LALO	LA	LAHO	-
	CCT (K)	3000/4000/5700											
	CRI	>70											
	SDCM	<5											
	System efficacy	up to 159 lm/W (HP Version) / up to 140 lm/W (MP Version)											
Mechanical	Optic	RV30,RV31,RV40,RV41,RV42 (HP Version) / RW30,RW31,RW42 (MP Version)											
	Weight (Kg)	4.8	4.8	4.8	5	5.5	5.6	8	8.3	10.3	10.8	11	11.5
	Housing material	Die Cast Aluminum											
	Optics/ lens	PMMA											
	Secondary optics	Ultra- Transparency Tempered Glass Cover											
	Mounting type	Side entry/ Post top											
	Mounting pole	Standard Φ60mm, Accessories: Φ42mm Φ75mm											
	Tilt setting	-15°~+15° Step of 2.5°											
	Ingress protection	Complete Luminaire IP66 , Driver: IP67											
	IK Rating	IK08											
Others	Rated lifetime	100,000 hrs @ L90B (HP Version) / 100,000 hrs @ L80 (MP Version)											
	Operating temperature	-30 - up to +50°C (MP) / -30 up to 55°C (HP)											
	Storage temperature	-40 - up to +70°C											

SYSTEM CONFIGURATION

High Power Optics

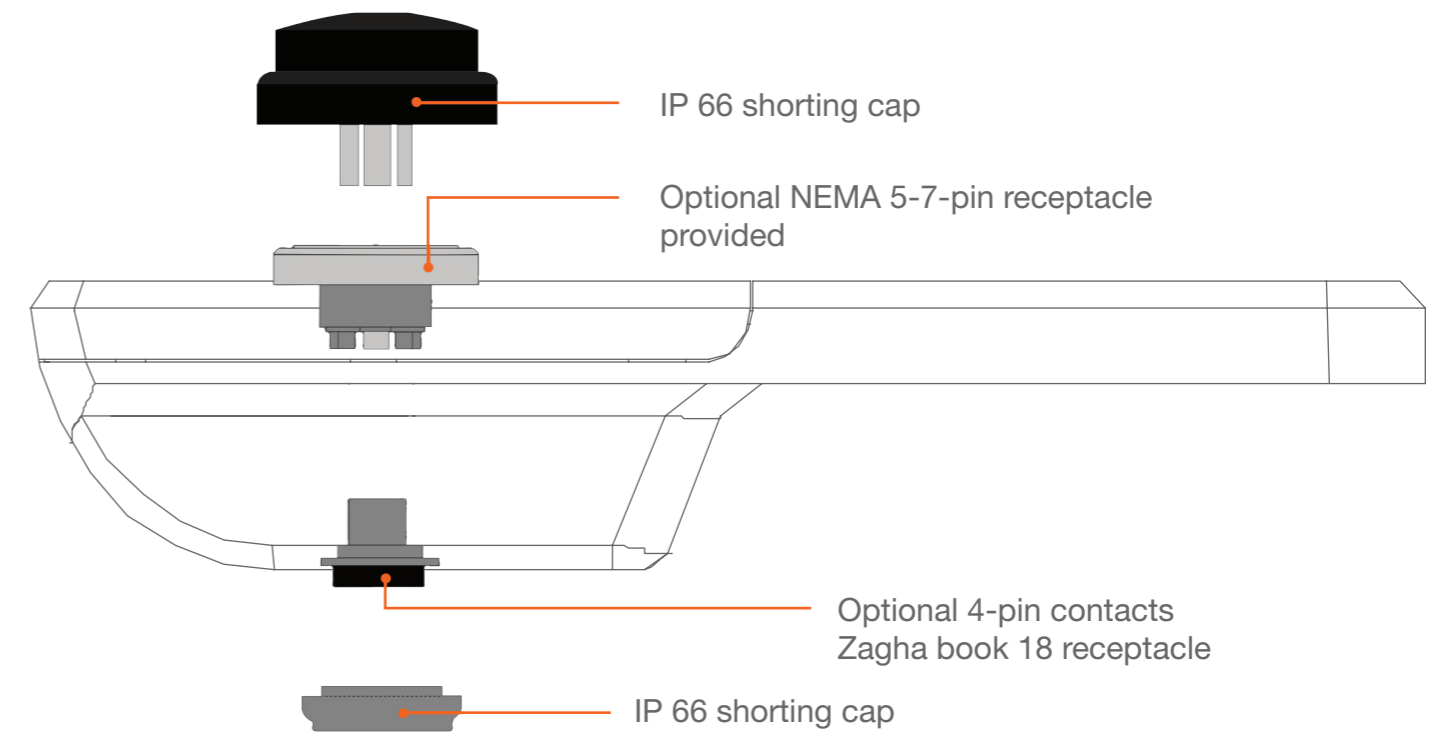
	Number of LEDs	Luminaire output flux (Lm) / 3000K		Luminaire output flux (Lm) / 4000K		Luminaire output flux (Lm) / 5700K		Power Consumption (W)		Luminaire efficacy (lm/W) @350mA
		Min	Max	Min	Max	Min	Max	Min	Max	up to
Mini	8	1171	2301	1244	2474	1244	2474	9	19	138
	16	2210	4408.2	2346	4740	2346	4740	17	37	138
	24	3414	6510	3671	7000	3671	7000	25	53	145
Small	36	5051	9486	5431	10200	5431	10200	37	78	147
	48	6789	12610	7300	13559	7300	13559	48	102	152
Medium	72	10509	18915.27	11300	20339	11300	20339	73	153	155
	90	12930	23921	13903	25722	13903	25722	90	189	154
Large	110	15903	29760	17100	32000	17100	32000	109	231	157
	120	17577	32550	18900	35000	18900	35000	119	252	159
	130	18787	34958.7	20201	37590	20201	37590	130	273	155
	150	21344	41404	22950	44520	22950	44520	150	318	153
	160	22618	35907	24320	38610	24320	38,610	160	270	152

Mid Power Optics

	Number of LEDs	Luminaire output flux (Lm) / 3000K		Luminaire output flux (Lm) / 4000K		Luminaire output flux (Lm) / 5700K		Power Consumption (W)		Luminaire efficacy (lm/W) @700mA
		Min	Max	Min	Max	Min	Max	Min	Max	up to
Mini	24	1458	1625	1575	1755	1575.0	1755	12	13	135
	28	1517	2730	1633	2940	1633.3	2940	12	21	140
	54	2810	5460	3026	5880	3026.5	5880	22	42	140
Small	96	4890	9360	5266	10080	5265.7	10080	38	72	140
	120	5935	11700	6391	12600	6391.3	12600	46	90	140
Medium	150	8951	15600	9639	16800	9639.3	16800	69	120	140
	230	13574	23270	14618	25060	14618.3	25060	104	179	140
Large	276	13650	27300	14700	30100	14700.0	29400	108	210	140
	360	16640	33280	17920	35840	17920.0	35840	128	256	140
	396	19500	39000	21150	42300	21150.0	42300	150	300	140
	432	20800	41600	22400	44800	22400.0	44800	160	320	140

FUNCTIONAL, RELIABLE, FUTURE-PROOF

SMART CITY CONNECTIVITY



NEMA 5-7-pin receptacle provided



14-pin contacts Zaghera book 18 receptacle combined

STANDARD
1-10V Dimming
On/Off

OPTIONAL
Dali 2.0 Dimming Driver
5 PIN or 7 PIN NEMA receptacle reserved.
4 PIN Zhagera receptacle reserved
Bottom: Zhagera Book18 4 pin socket + DALI 2.0 Driver 'Optional'.
Advantages of smart and simplified luminaire integration: Less wiring and components, power metering, diagnostics, 12V power supply.

LEDVANCE Performance Class Streetlight Flex is compatible with preset dimming features that maximize dimming flexibility and efficiency.

LEDVANCE Performance Class Streetlight Flex can be equipped with a NEMA 5-7-pin receptacle provided with IP 66 shorting cap.

LEDVANCE Performance Class Streetlight Flex is equipped with 4-pin contacts Zaghera book 18 receptacle combined with DALI 2.0 drivers to upgrade your system with the latest and most efficient smart 10T system.

LEDVANCE STREETLIGHT RANGE



LED PERFORMANCE STREET LIGHT

- The entire streamline appearance design clear and smooth, the top is flat, each of the parts match perfectly.
- Flexible options of LEDs including High-Power ceramic LEDs or Mid-Power LEDs help to achieve Long LED Lifetime with excellent heat resistant.
- Die Cast Aluminum, UV PMMA Lens, Tempered Glass
- Lighting distributions options to cover different road parameters.
- Lumen output up to 44,800lm, up to 320W
- System efficacy >159lm/W
- Luminaire Lifetime: 100,000 L90



LED PERFORMANCE GUARD RAIL LIGHT

- Innovative roadway, tunnel, pedestrian and architectural outdoor LED module that is ultra compact and lightweight.
- Die Cast Aluminum. PMMA Stabilized Lens.
- Total of 5 Distribution optics
- High Spacing/ Height Ratio
- Lumen output up to 1,472 lm
- System efficacy up to 100lm/W
- Luminaire Lifetime: 50,000 L90



LED PERFORMANCE URBAN LIGHT

- Available in two sizes:
14/21/28/35W switchable, 41/46/52/59W switchable
- Lumen output up to 130lm/W
- Available in Black & Gray color
- Luminaire Lifetime: 100,000 L70



LED VALUE STREET LIGHT

- Smooth surface housing, no vertical fins to block dust flow, leads to dust free and easy cleaning.
- Die Cast Aluminum. UV Stabilized PC Lens, Tempered Glass
- Lumen output up to 32,200lm, up to 230W
- System efficacy up to 140 lm/W
- Luminaire Lifetime: 50,000 L70



LED ECO STREET LIGHT

- Three types of Eco Streetlight product families that are slim, aesthetical housing combined with dust-free design.
- Efficacy varies between 100 to 130lm/W depends on the version.
- Lumen output up to 19500 lm
- Input Voltage 100-240VAC
- Luminaire Lifetime: 25,000 to 50,000 L70 depends on the version.



LED PERFORMANCE SOLAR STREET LIGHT

- Monocrystalline double-sided solar panel: Absorbing more energy by adjusting the solar panel to the direct sunlight angle.
- LPW up to 185 lm/W
- Lumen output up to 11,100 Lm
- Can be rotated from -60 to 60°, tool-Free adjustment, realizing maximum utilization of light on the road.
- Housing Material: Die Cast Aluminum.
- CCT: 3000K/4000K//6500K
- Options: AC/DC option upon request



LED HQL STREETLIGHT LAMP

- Compatible with HQL CCG, also operation at line voltage.
- Lifespan of up to 50,000 h1
- 3,000 lm/4,000 lm: Ambient temperature Ta -20° to +60°C
- 6,000 lm/13,000 lm: Ambient temperature Ta -20° to +50°C
- Storage temperature Ts -30° to +80°C

ABOUT LEDVANCE

With offices in more than 50 countries and business activities in more than 140 countries, LEDVANCE is one of the world's leading general lighting providers for professional users and end consumers. Having emerged from OSRAM's general lighting division, LEDVANCE offers a wide-ranging portfolio of LED luminaires for a broad spectrum of applications, intelligent lighting products for Smart Home and Smart Building solutions, one of the most comprehensive ranges of advanced LED lamps in the lighting industry, traditional light sources, an LED Strip System and light management systems.



LEDVANCE

LEDVANCE Middle East FZE
Office – 1606 & 1607
Jumeirah Business Center 3
Jumeirah Lakes Towers
P.O. Box 17476, Dubai
United Arab Emirates
Tel: +971 4 881 3767
info-mea@ledvance.com
LEDVANCE.ASIA

LEDVANCE.COM

LEDVANCE is licensee of product trademark
OSRAM for lamps products in general lighting.

