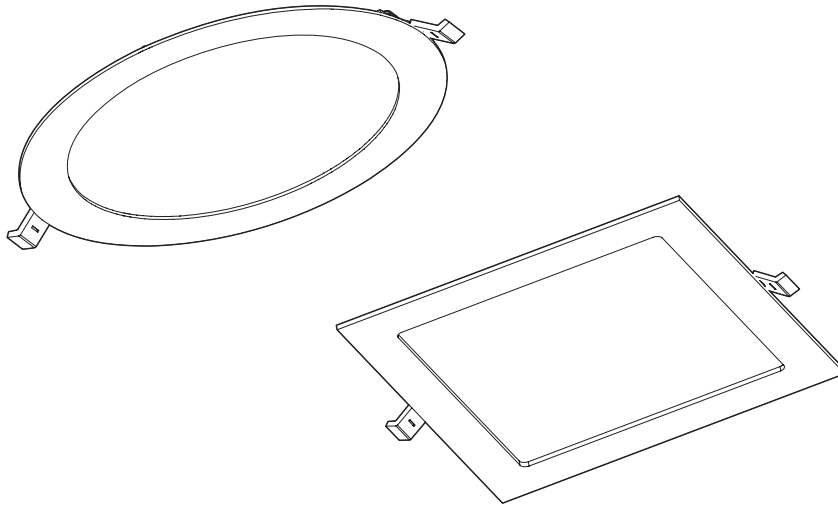




LED VALUE SLIM DOWNLIGHT TRI CCT



Model	W	CCT	VAC	Hz	PF	CRI	IP	Lifetime	Ta(°C)	Dimension (mm)	👤
V-DL-SLIM-R40-9W-TRI	9	3000K/4000K/6500K Selectable	220-240V~	50/60Hz	>0.5	>80	20	30,000h	-10...+50	Ø120x23	138g
V-DL-SLIM-R60-12W-TRI	12		220-240V~	50/60Hz	>0.5	>80	20	30,000h	-10...+50	Ø170x23	230g
V-DL-SLIM-R60-15W-TRI	15		220-240V~	50/60Hz	>0.5	>80	20	30,000h	-10...+50	Ø 170x23	230g
V-DL-SLIM-R80-18W-TRI	18		220-240V~	50/60Hz	>0.5	>80	20	30,000h	-10...+50	Ø 225x23	340g
V-DL-SLIM-S40-9W-TRI	9		220-240V~	50/60Hz	>0.5	>80	20	30,000h	-10...+50	120x120x23	150g
V-DL-SLIM-S60-12W-TRI	12		220-240V~	50/60Hz	>0.5	>80	20	30,000h	-10...+50	170x170x23	271g
V-DL-SLIM-S60-15W-TRI	15		220-240V~	50/60Hz	>0.5	>80	20	30,000h	-10...+50	170x170x23	271g
V-DL-SLIM-S80-18W-TRI	18		220-240V~	50/60Hz	>0.5	>80	20	30,000h	-10...+50	225x225x23	410g



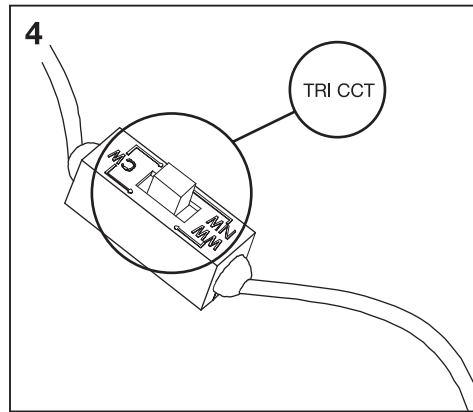
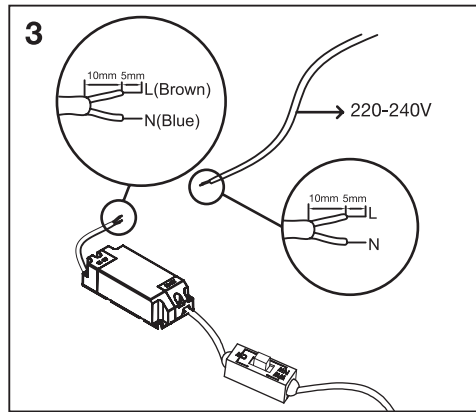
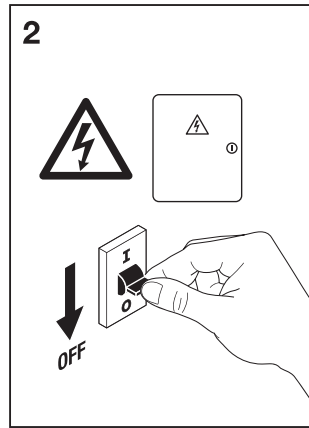
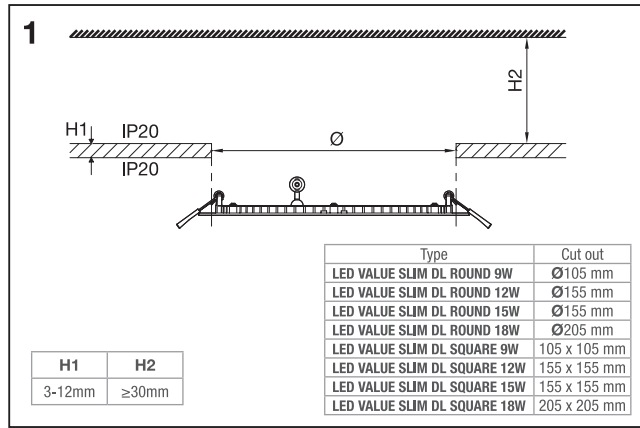
LEDVANCE



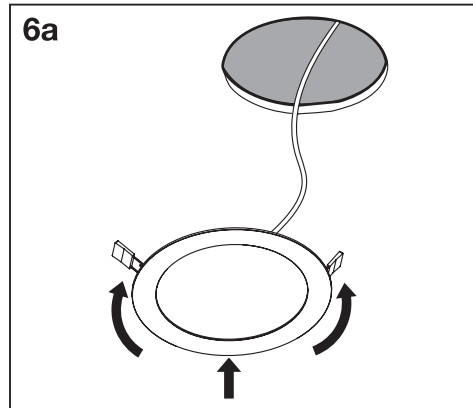
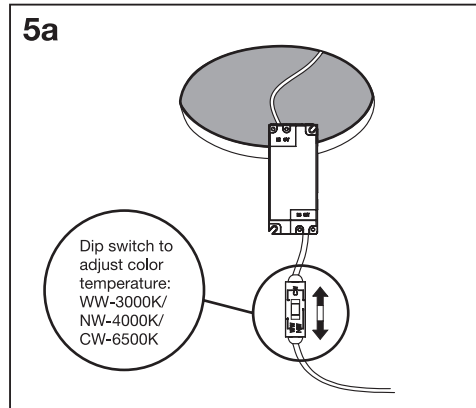
black
score dimension 148 x 210 mm



LED VALUE SLIM DOWNLIGHT TRI CCT



LED ECO SLIM ROUND DOWNLIGHT



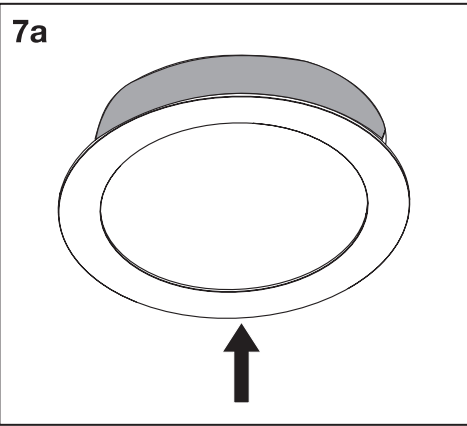
2



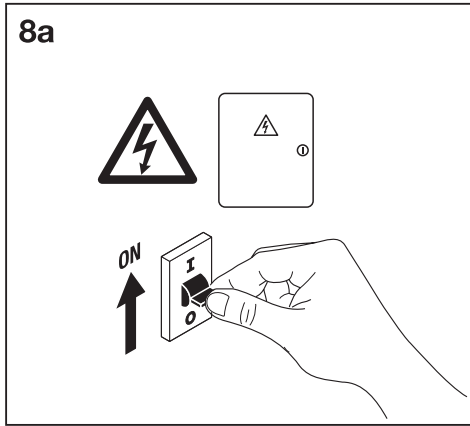


LED VALUE SLIM DOWNLIGHT TRI CCT

7a

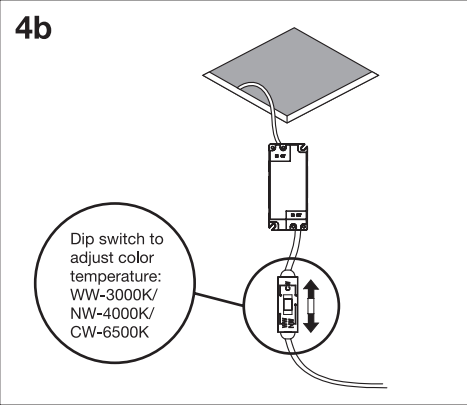


8a

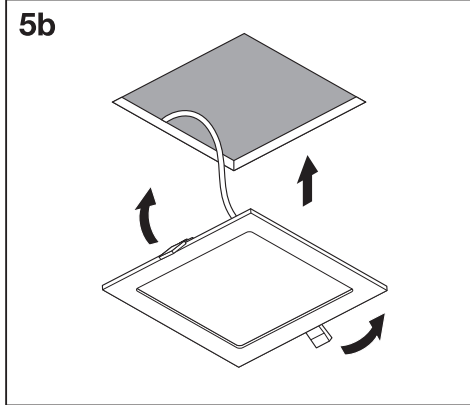


LED ECO SLIM SQUARE DOWNLIGHT

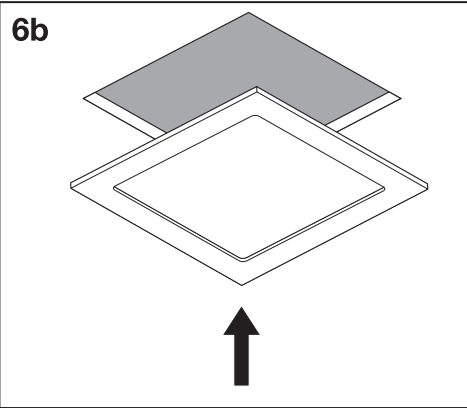
4b



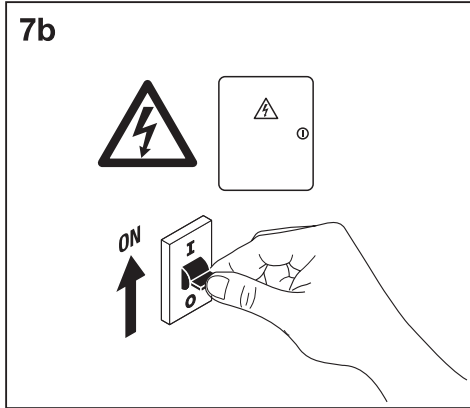
5b



6b



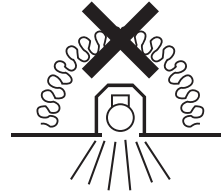
7b





WARNING:

- Connect to the power supply in accordance with national regulations.
- This product is designed for Indoor use only. It is not intended for installation in wet areas or where the location is exposed to the elements.
- This product is to be installed by a licensed electrician in strict accordance with local wiring rules.
- Luminaires not suitable for covering with thermally insulating material.
- Please note that the fixture is equipped with standard surge protection only. To protect the fixture from sags, surges, and lightning strikes, additional surge protectors must be deployed on the primary side.
- The cord of the product is not replaceable.
- The light source of this luminaire is not replaceable; when the light source reaches its end of life the whole luminaire shall be replaced.



Luminaires not suitable for covering with thermally insulating material.

LEDVANCE Sdn, Bhd. (1166537-U)
100.7.009, 129 Offices, Block J, Jaya One
No. 72A, Jalan Universiti,
46200 Petaling Jaya,
Selangor Darul Ehsan, Malaysia

LEDVANCE Pte. Ltd.
320 Serangoon Road #14-02,
Centrium Square 218108, Singapore.
Phone +65 6911 8260

LEDVANCE Pvt. Ltd.
1201-1202, 12th Floor, Signature Towers, Tower-A,
South City-I, Gurugram-122001, Haryana (India)
Consumer care cell (Name and address as per above),
Consumer care Tel. No. 0124-4150100
Toll Free Number – 18001026258
E-mail id: customercare@ledvance.com
www.ledvance.in

(주)레드밴스
서울시 강남구 삼성로 554 예성빌딩 6층
(우편번호 06165)
전화번호: +82 80 4891 700
www.ledvance.co.kr

LEDVANCE Prosperity Co., Ltd.
20/F, Cornell Centre, 50 Wing Tai Rd.,
Chai Wan, Hong Kong

LEDVANCE MIDDLE EAST FZE
Office No. LB040123
PO Box 17476, Jebel Ali Free Zone
Dubai, United Arab Emirates
Tel.: +971 4 881 37 67
Fax: +971 4 881 37 69

LEDVANCE Pty Ltd
ABN 34 050 103 181
Unit 3, 83 Derby Street
Silverwater, NSW, 2128, Australia
Ph +61 29481 8399 / 1300 467 726
www.ledvance.com.au

IP20



RoHS



C10449057
G11171341
2023-06-04

www.ledvance.com

