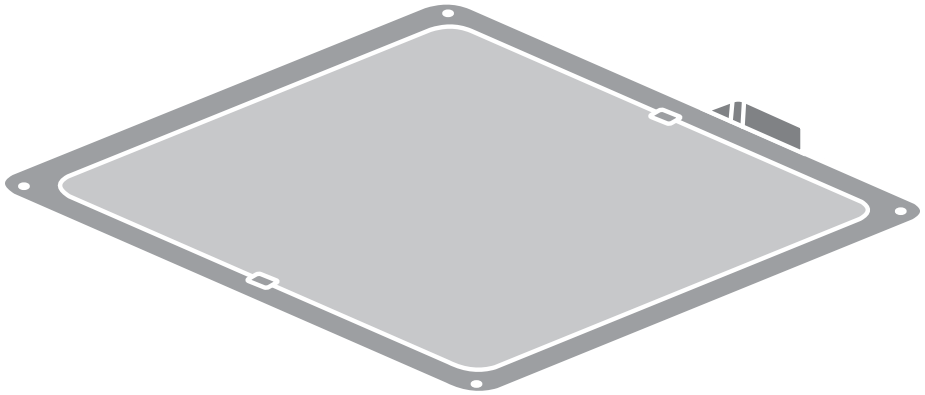
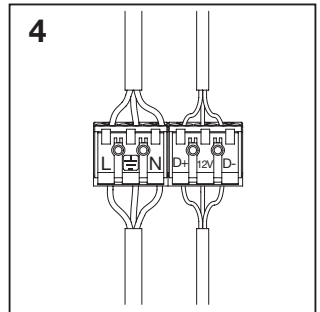
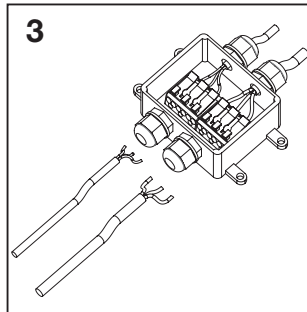
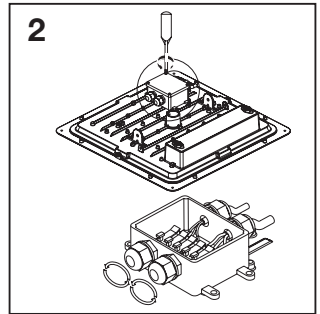
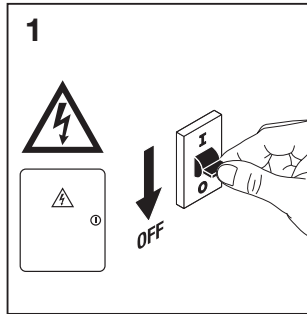
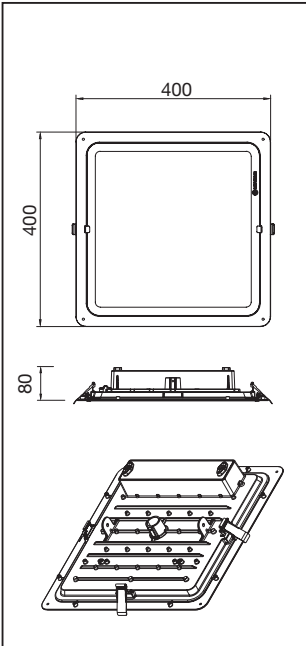
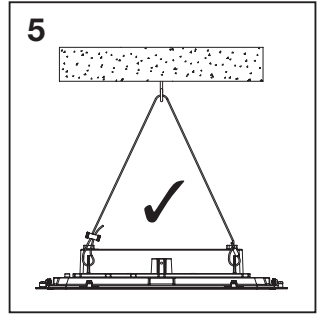
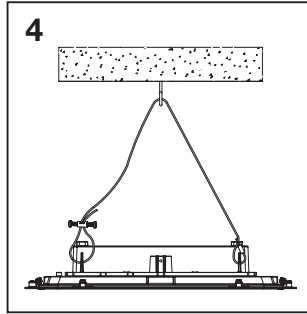
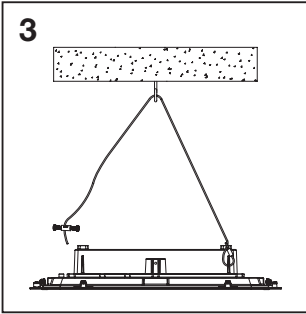
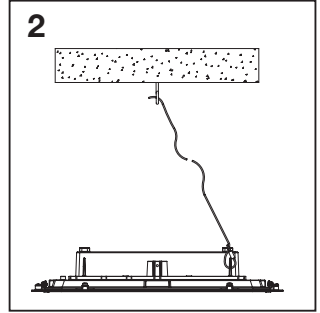
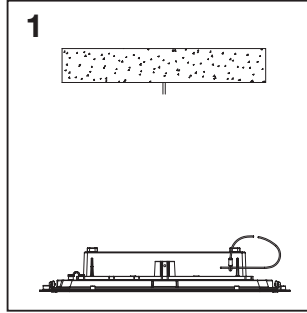
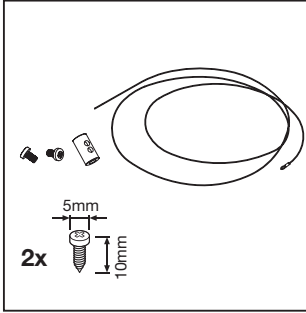


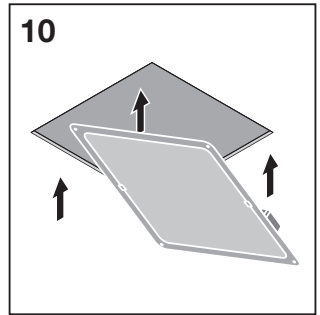
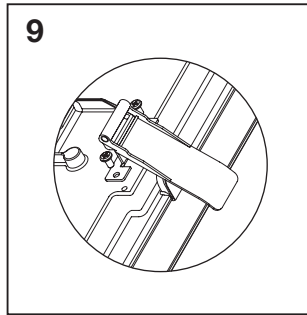
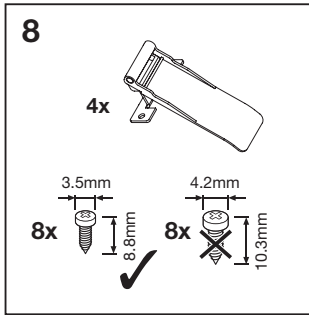
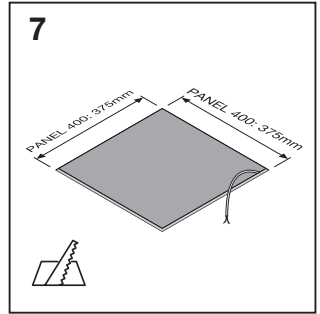
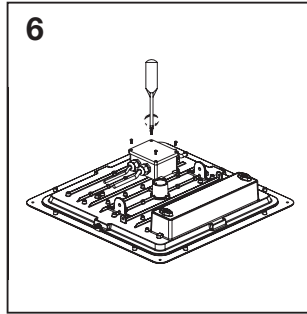
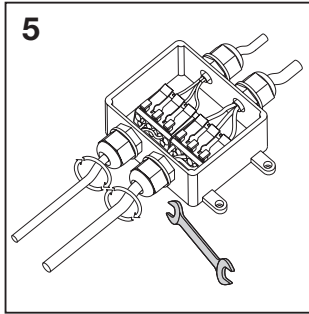
CANOPY COMPACT



	EAN	l x w x h [mm]	W	VAC	Hz	lm	lm/W	K
CANOPY COMP V 60W 840 IP66 DIM	4099854182501	400 x 400 x 80	60	220-240	50/60	8100	135	4000
CANOPY COMP V 60W 857 IP66 DIM	4099854182525	400 x 400 x 80	60	220-240	50/60	8100	135	5700
CANOPY COMP V 95W 840 IP66 DIM	4099854182549	400 x 400 x 80	95	220-240	50/60	12825	135	4000
CANOPY COMP V 95W 857 IP66 DIM	4099854182563	400 x 400 x 80	95	220-240	50/60	12825	135	5700
CANOPY COMP V 145W 840 IP66 DIM	4099854182587	400 x 400 x 80	145	220-240	50/60	19575	135	4000
CANOPY COMP V 145W 857 IP66 DIM	4099854182600	400 x 400 x 80	145	220-240	50/60	19575	135	5700

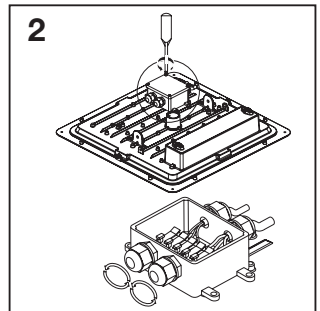
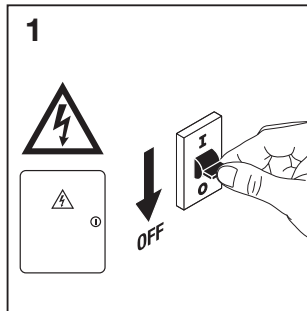
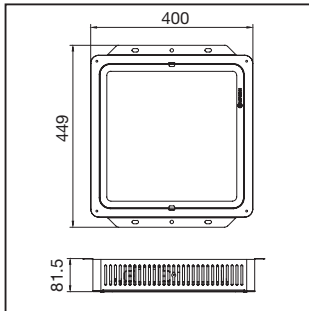
	EAN	IP	IK	▽	R _a	°(°C)	PF	👤
CANOPY COMP V 60W 840 IP66 DIM	4099854182501	66	08	110	>80	-40° .. +50°	>0.9	3,4kg
CANOPY COMP V 60W 857 IP66 DIM	4099854182525	66	08	110	>80	-40° .. +50°	>0.9	3,4kg
CANOPY COMP V 95W 840 IP66 DIM	4099854182549	66	08	110	>80	-40° .. +50°	>0.9	3,6kg
CANOPY COMP V 95W 857 IP66 DIM	4099854182563	66	08	110	>80	-40° .. +50°	>0.9	3,6kg
CANOPY COMP V 145W 840 IP66 DIM	4099854182587	66	08	110	>80	-40° .. +50°	>0.9	3,6kg
CANOPY COMP V 145W 857 IP66 DIM	4099854182600	66	08	110	>80	-40° .. +50°	>0.9	3,6kg

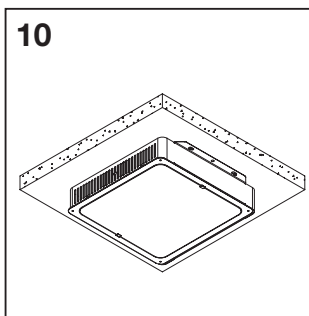
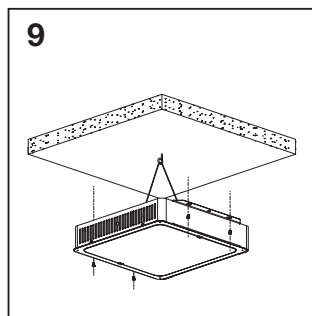
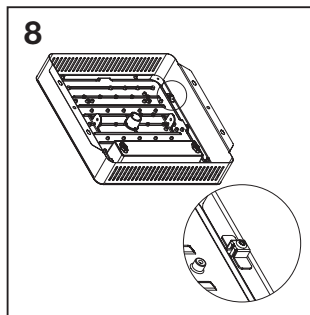
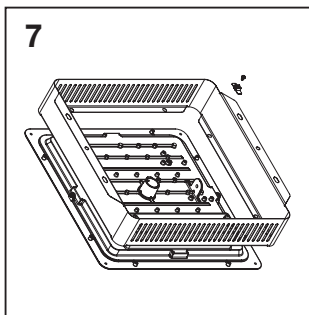
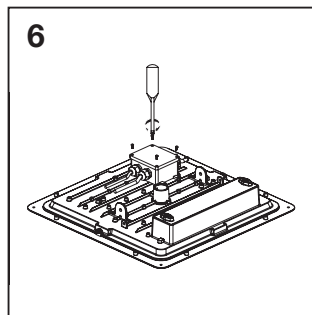
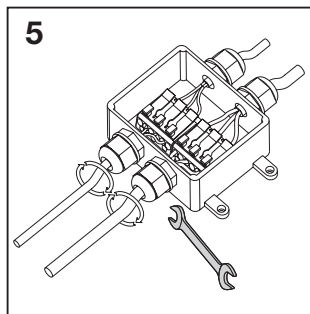
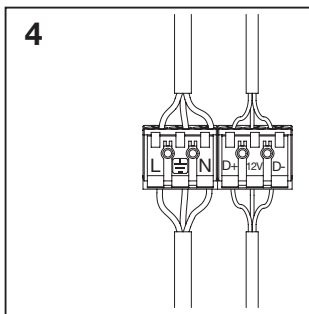
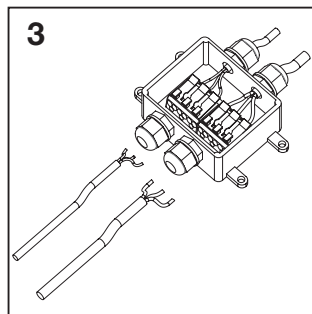




SURFACE MOUNTING

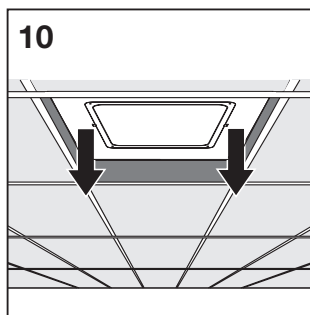
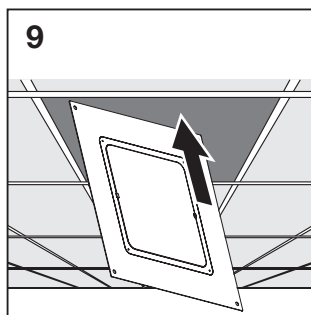
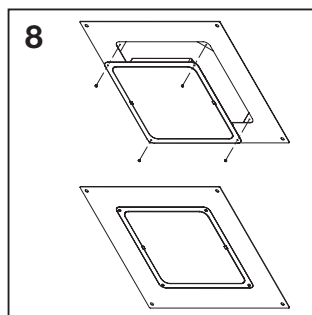
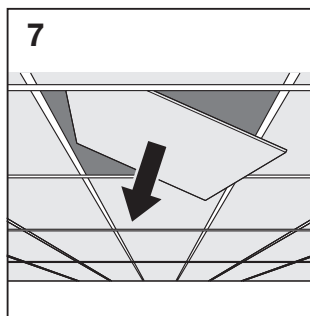
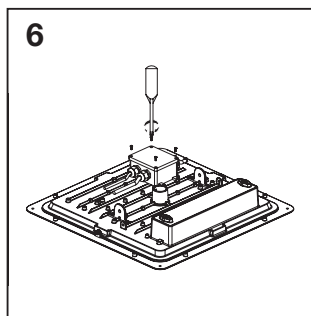
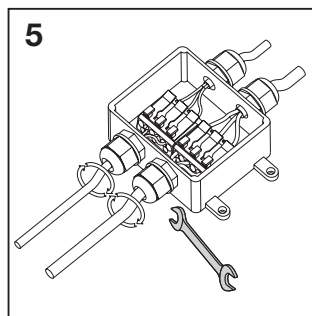
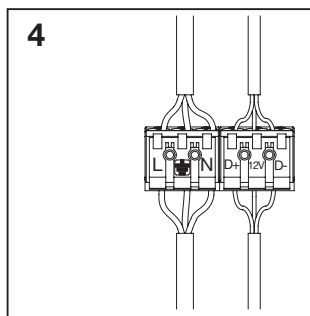
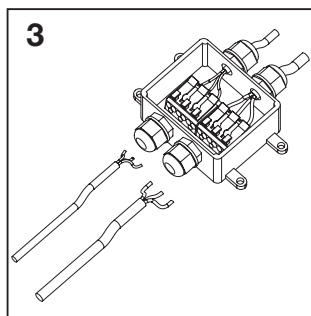
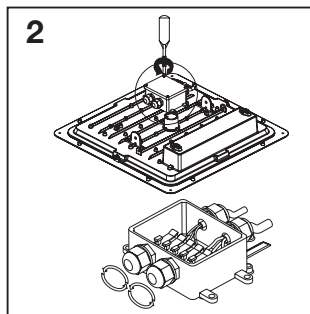
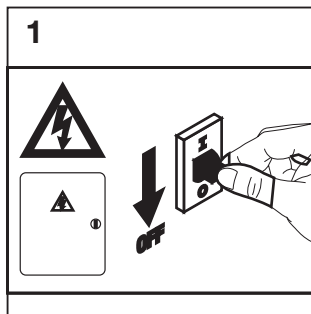
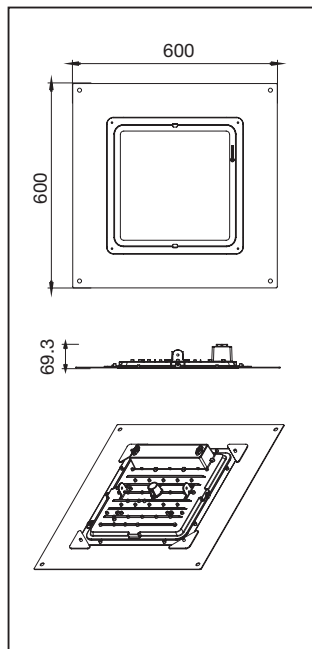
	EAN		PRODUCT	EAN
CANOPY COMP V 60W 840 IP66 DIM	4099854182501	+	CANOPY COMPACT SURFACE FRAME	4099854194634
CANOPY COMP V 60W 857 IP66 DIM	4099854182525			
CANOPY COMP V 95W 840 IP66 DIM	4099854182549			
CANOPY COMP V 95W 857 IP66 DIM	4099854182563			
CANOPY COMP V 145W 840 IP66 DIM	4099854182587			
CANOPY COMP V 145W 857 IP66 DIM	4099854182600			



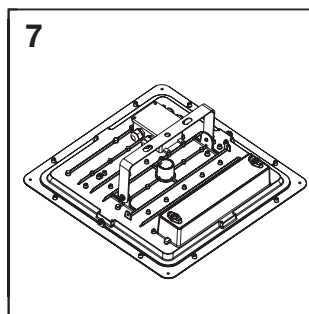
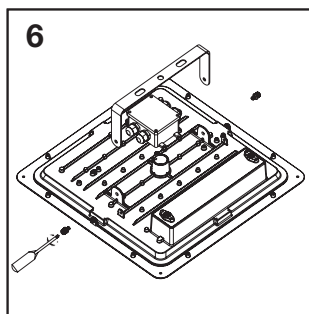
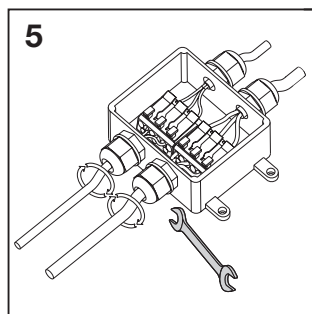
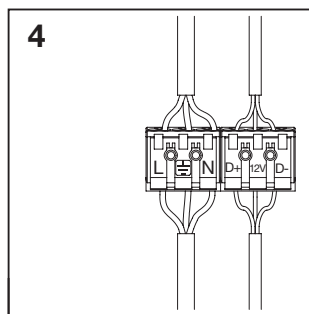
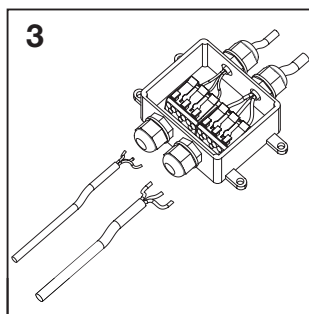
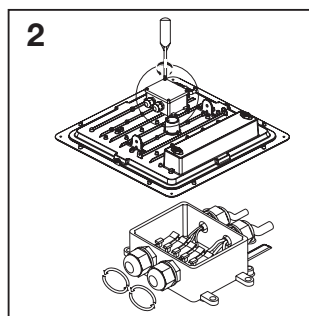
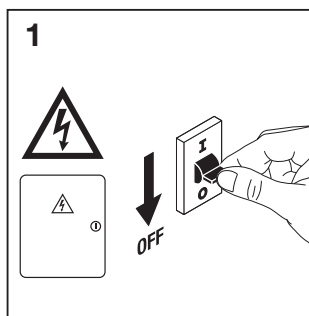
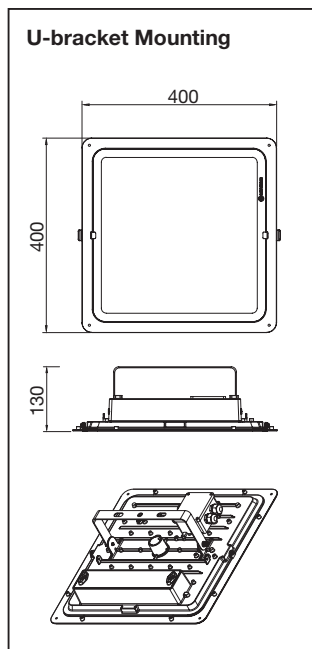


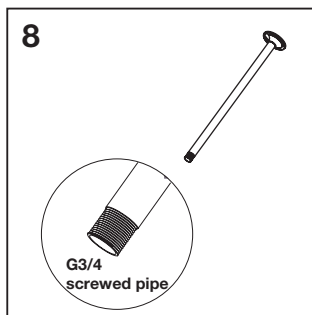
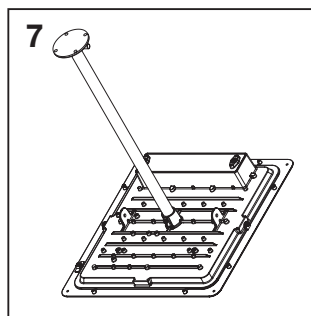
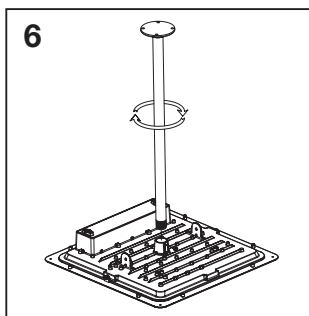
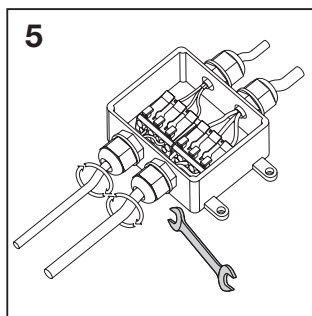
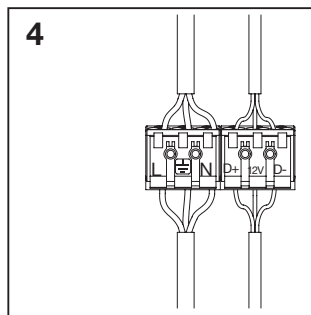
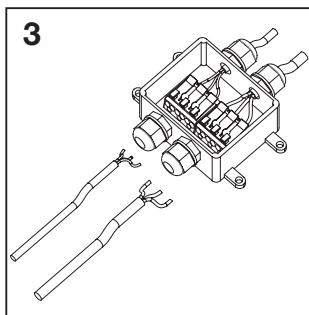
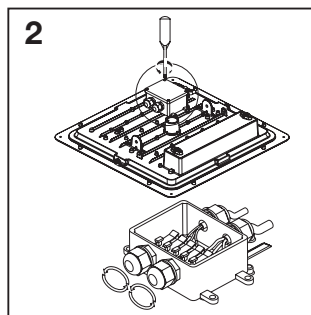
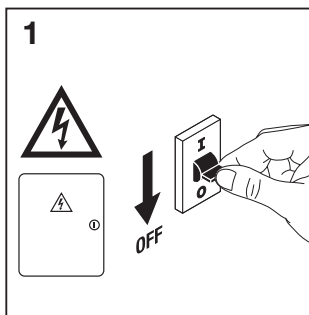
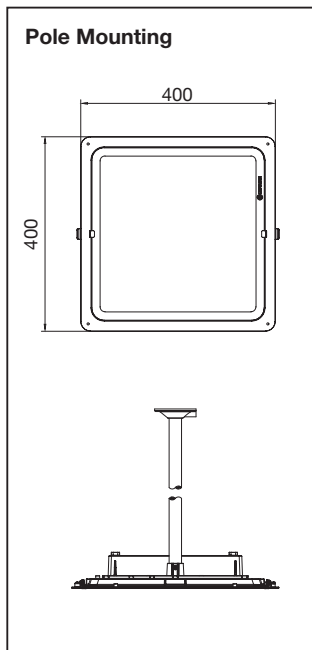
RECESSED MOUNTING

	EAN		PRODUCT	EAN
CANOPY COMP V 60W 840 IP66 DIM	4099854182501	+	CANOPY COMPACT COVER PLATE KIT	4099854194665
CANOPY COMP V 60W 857 IP66 DIM	4099854182525			
CANOPY COMP V 95W 840 IP66 DIM	4099854182549			
CANOPY COMP V 95W 857 IP66 DIM	4099854182563			
CANOPY COMP V 145W 840 IP66 DIM	4099854182587			
CANOPY COMP V 145W 857 IP66 DIM	4099854182600			

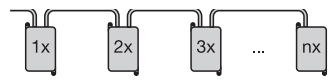
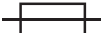
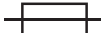
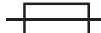


	EAN	+	PRODUCT	EAN
CANOPY COMP V 60W 840 IP66 DIM	4099854182501		+	CANOPY COMPACT U BRACKET
CANOPY COMP V 60W 857 IP66 DIM	4099854182525			
CANOPY COMP V 95W 840 IP66 DIM	4099854182549			
CANOPY COMP V 95W 857 IP66 DIM	4099854182563			
CANOPY COMP V 145W 840 IP66 DIM	4099854182587			
CANOPY COMP V 145W 857 IP66 DIM	4099854182600			



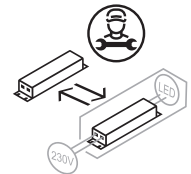
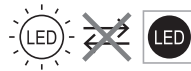


**

	B16A 	C10A 	C16A 
CANOPY COMP V 60W	n = 5	n = 5	n = 8
CANOPY COMP V 95W	n = 5	n = 5	n = 8
CANOPY COMP V 145W	n = 5	n = 5	n = 8



Points de collecte sur www.quefairedemesdechets.fr



© LEDVANCE Ltd, Aquila House
Delta Crescent, Westbrook, Warrington
WA5 7NR, United Kingdom



LEDVANCE GmbH
Steinerne Furt 62
86167 Augsburg, Germany
www.ledvance.com

C10449057
G11174769

04.09.23