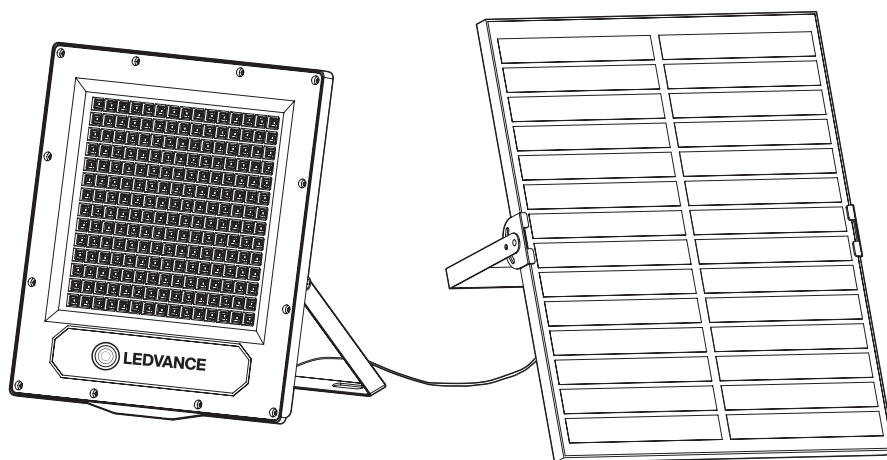


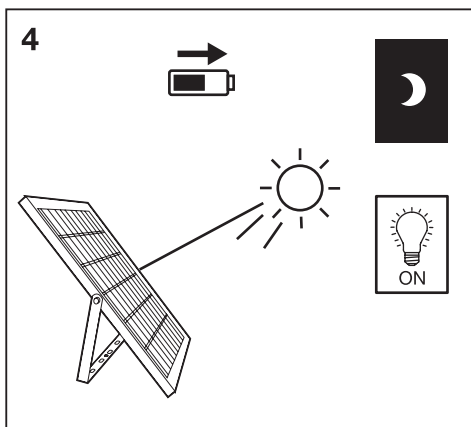
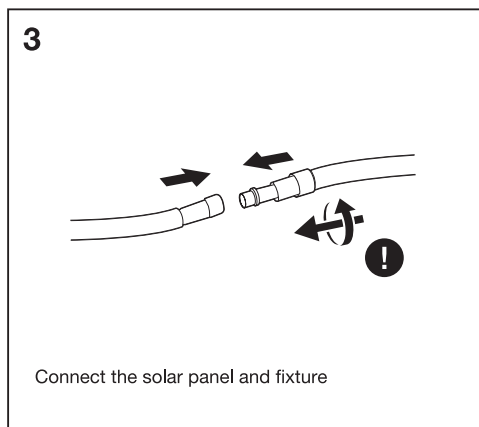
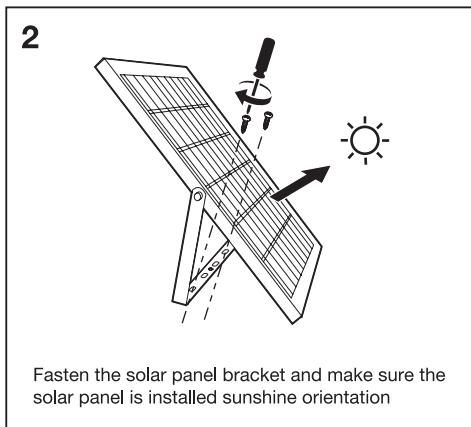
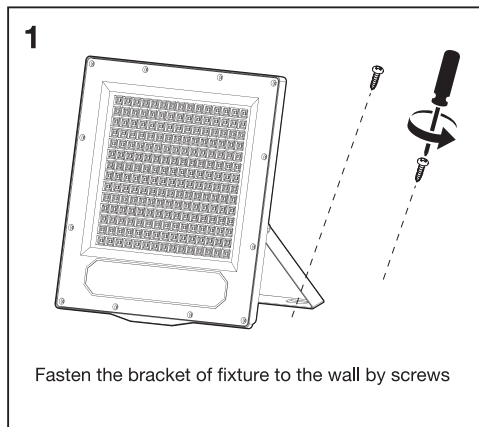
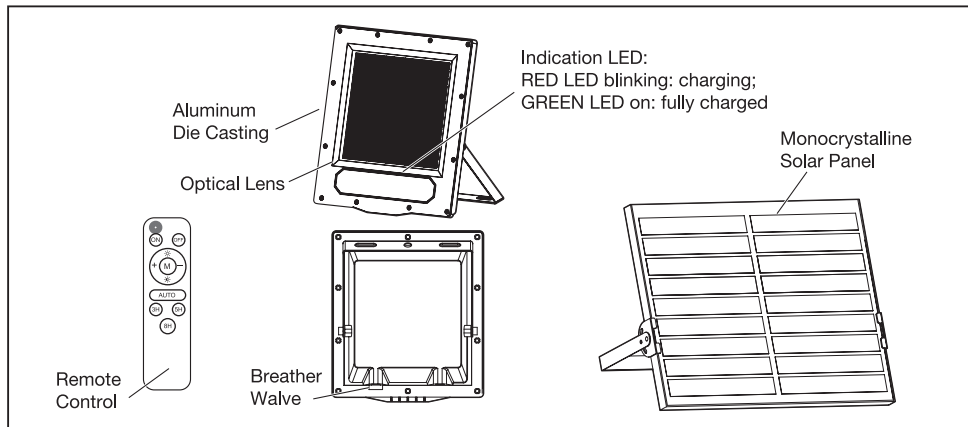
LED ECO SOLAR FLOODLIGHT



Model	Battery Type	Battery Parameter	Solar Panel Type	Solar Panel Parameter	Solar Panel Size (mm)	Lamp body Size (mm)	Projected Area (m ²)	Max. Installing Height (m)	IP	Operating Temperature	👤
E-SOL-FL-90-8XX	LiFePO ₄	3.2V, 6AH	Monocrystalline	5V 8W	250x205x17	150x130x45	0.01	4	66	-20°C...+45°C	1411g
E-SOL-FLS-100-8XX	LiFePO ₄	3.2V, 6AH	Monocrystalline	5V 8W	250x205x17	150x130x45	0.01	4	66	-20°C...+45°C	1411g
E-SOL-FL-180-8XX	LiFePO ₄	3.2V, 12AH	Monocrystalline	5V 15W	390x235x17	200x226x45	0.02	4	66	-20°C...+45°C	2226g
E-SOL-FLS-200-8XX	LiFePO ₄	3.2V, 12AH	Monocrystalline	5V 15W	390x235x17	200x226x45	0.02	4	66	-20°C...+45°C	2226g
E-SOL-FL-270-8XX	LiFePO ₄	3.2V, 18AH	Monocrystalline	5V 20W	390x300x17	200x226x45	0.02	5	66	-20°C...+45°C	2586g
E-SOL-FLS-300-8XX	LiFePO ₄	3.2V, 18AH	Monocrystalline	5V 20W	390x300x17	200x226x45	0.02	5	66	-20°C...+45°C	2586g
E-SOL-FL-380-8XX	LiFePO ₄	3.2V, 24AH	Monocrystalline	5V 25W	390x375x17	286x258x45	0.03	5	66	-20°C...+45°C	3684g
E-SOL-FLS-400-8XX	LiFePO ₄	3.2V, 24AH	Monocrystalline	5V 25W	390x375x17	286x258x45	0.03	5	66	-20°C...+45°C	3684g



LED ECO SOLAR FLOODLIGHT

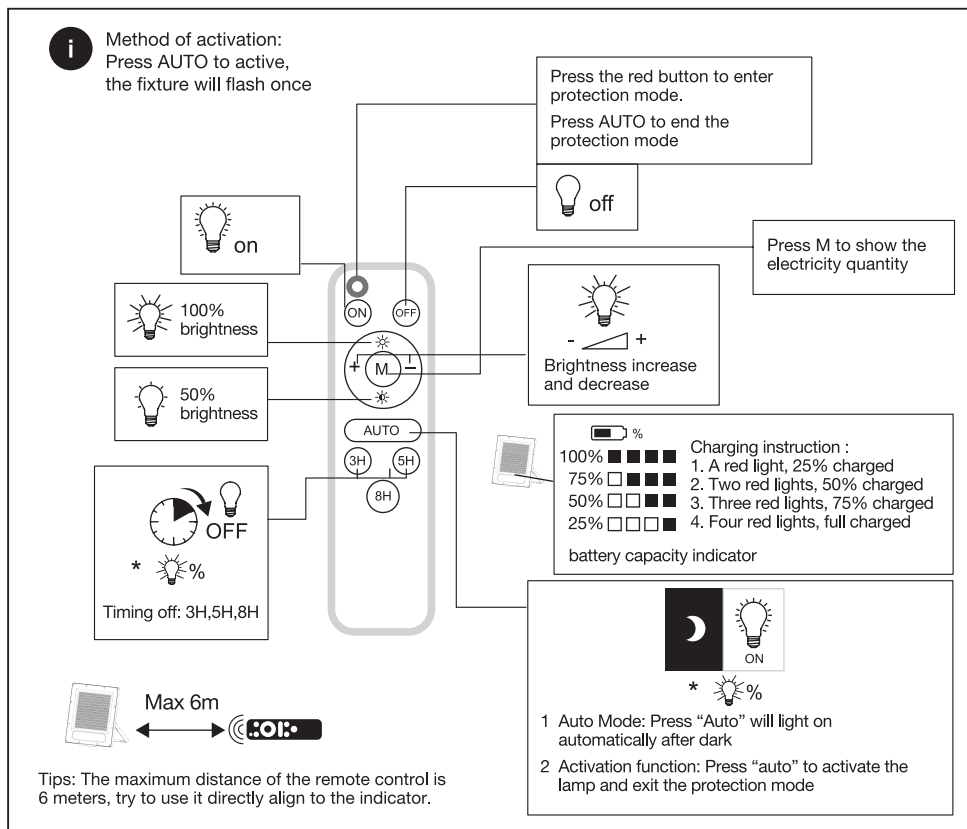


2



LED ECO SOLAR FLOODLIGHT

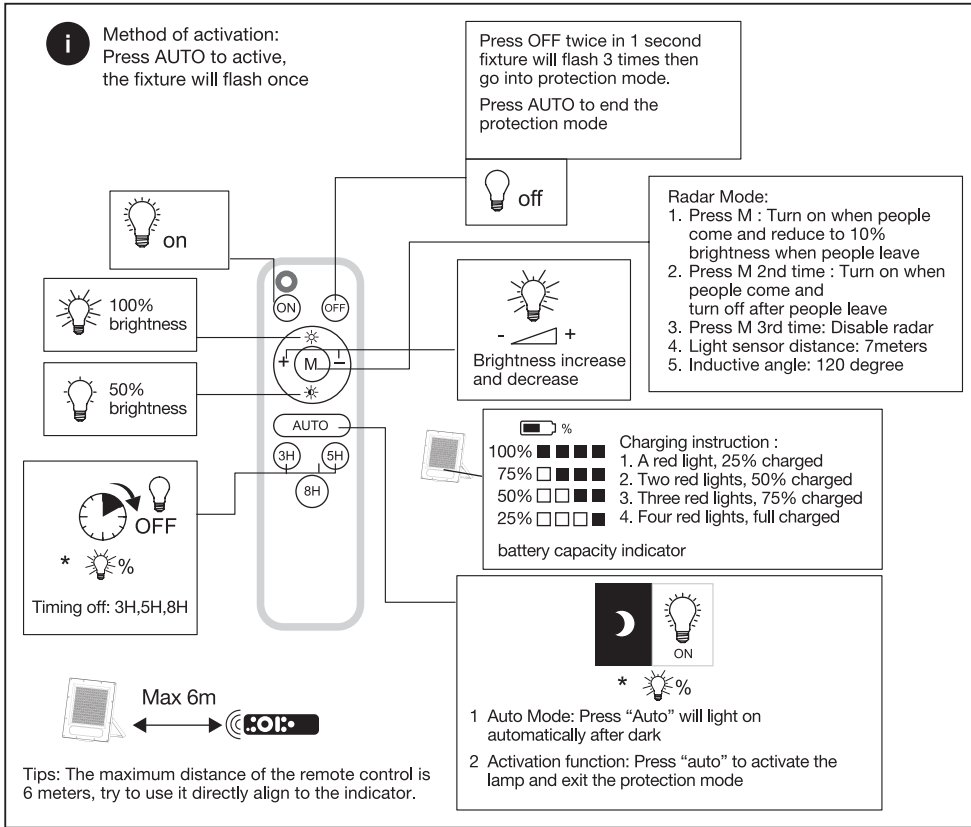
Remote control instruction (Standard version)



Working Mode					
Time	Brightness (AUTO)	Time	Brightness (Timing)		
			3hours	5 hours	8 hours
5 min	100%	Start	100%	100%	100%
5 min - 0.5 hour	40%	0 - 0.5 hour	Gradually down to 80%		
0.5 - 1.5 hour	80%	0.5 - 2nd hour	Gradually down to 70%		
1.5 - 3.5 hours	50%	3rd hour	60%	60%	60%
3.5 - 5.5 hours	30%	4th hour	OFF	50%	50%
5.5 hours - Dawn	15%	5th hour		50%	50%
		6th hour		OFF	40%
		7th hour			30%
		8th hour			OFF
		9th hour			
		10th hour			
		11th hour			
		12th hour			

LED ECO SOLAR FLOODLIGHT

Remote control instruction (Radar version)



Working Mode					
Time	Brightness (AUTO)	Time	Brightness (Timing)		
			3hours	5 hours	8 hours
5 min	100%	Start	100%	100%	100%
5 min - 0.5 hour	40%	0 - 0.5 hour	Gradually down to 80%		
0.5 - 1.5 hour	80%	0.5 - 2nd hour	Gradually down to 70%		
1.5 - 3.5 hours	50%	3rd hour	60%	60%	60%
3.5 - 5.5 hours	30%	4th hour	OFF	50%	50%
5.5 hours - Dawn	15%	5th hour		50%	50%
		6th hour		OFF	40%
		7th hour			30%
		8th hour			OFF
		9th hour			
		10th hour			
		11th hour			
		12th hour			



Li-ion WARNINGS:

- Please keep the fixture out of reach of children.
- Do not dispose of battery in fire. This may result in an explosion.
- Do not expose the light to fire or intense heat as the battery may explode.
- Do not immerse in water.
- Never look directly into the light or shine it into another person's eyes.
- Follow proper safety tips to prevent from falling off a ladder.
- Consult your local construction safety guide if needed for installing the light fixture on a building.
- The light fixture should be installed on a flat and stable surface.
- Avoid installing the light near an air conditioner, a central heater, or high voltage system.
- The solar charger board should be set in a sunny area where maximum sunlight can be collected. Typically, the solar board should face a direction (south) where sunlight can charge the board for at least 3 hours per day (5 hours per day if behind glass). It is suggested to charge the light for 24 hours before first use.
- Use a soft wet cloth to periodically (at least once a year) clean the charger board to avoid the reduction of power output due to accumulated dust.
- The external flexible cable or cord of this luminaire cannot be replaced. If the cord is damaged, the luminaire shall be destroyed.
- The light source of this luminaire is not replaceable. When the light source reaches its end of life, the whole luminaire shall be replaced.

تحذير:

-يرجى لإبقاء المنتج بعيدا عن متناول الأطفال
-لا تتخلص من بطارية الليثيوم في القمامة العادية أو النفايات العامة أو بالنار لأنها يمكن ان تنفجر
-لا تفتح أو تقصر الدائرة الكهربائية أو تتلف البطاريات فقد تحدث إصابة
-حافظ على البيئة من خلال إعادة تدوير بطاريات الليثيوم أو التخلص منها وفقا للمواصفات الانظمة المحلية
-لا تخطط بين البطاريات القديمة والجديدة
-لاستعمال الخارجي

-لا يجوز استبدال مصدر الضوء الموجود في هذا المصباح إلا من قبل الشركة المصنعة أو خدمته الوكيل أو أي شخص مؤهل.
-الحفاظ على الألواح الشمسية والعدسة خالية من الأتربة والرواسب عن طريق المسح بقطعة قماش جافة أو مياه دافئة مع صابون



DISPOSAL OF THIS PRODUCT:

This marking indicates that this product should not be disposed with other household wastes. To prevent possible harm to the environment or human health from uncontrolled waste disposal, recycle it responsibly to promote the sustainable reuse of material resources. To return your used device, please use the return and collection systems or contact the retailer where the product was purchased to ensure an environmentally and friendly recycling.

لتخلص من هذا المنتج

-تشير هذه العلامة الى أنه لا ينبغي التخلص من هذا المنتج مع النفايات الأخرى لمنع الضرر المحتمل على البيئة أو صحة الإنسان من النفايات الخارجة عن السيطرة. اعد تدويرها بشكل مسؤول
-لتعزيز إعادة الاستخدام المستدام للموارد المادية.

-لإعادة جهازك المستخدم، يرجى استخدام أنظمة الإرجاع والتجميع أو الاتصال ببائع التجزئة الذي تم شراء المنتج منه.

☎ LEDVANCE Pte. Ltd.
320 Serangoon Road #14-02,
Centrium Square 218108, Singapore.
Phone +65 6911 8260

☎ LEDVANCE Sdn. Bhd. (1166537-U)
100.7.009, 129 Offices, Block J, Jaya One
No. 72A, Jalan Universiti,
46200 Petaling Jaya,
Selangor Darul Ehsan, Malaysia

☎ (주)레드벤스
서울시 강남구 삼성로 554 예성빌딩6층
(우편번호 06165)
전화번호: +82 80 489 1700
www.ledvance.co.kr

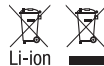
☎ LEDVANCE Pvt. Ltd.
1201-1202, 12th Floor, Signature Towers,
Tower - A, South City - I, Gurugram - 122001,
Haryana (India)
Consumer care cell (Name and address
as per above),
Consumer care Tel. No. 0124-4150100
Toll Free Number – 18001026258
E-mail id: customercare@ledvance.com
www.ledvance.in

☎ LEDVANCE Prosperity Co., Ltd.
20/F, Cornell Centre, 50 Wing Tai Rd.,
Chai Wan, Hong Kong

☎ LEDVANCE MIDDLE EAST FZE
Office No. LB040123
PO Box 17476, Jebel Ali Free Zone
Dubai, United Arab Emirates
Tel.: +971 4 881 37 67
Fax: +971 4 881 37 69

☎ LEDVANCE Pty Ltd
ABN 34 050 103 181
Unit 3, 83 Derby Street
Silverwater, NSW, 2128, Australia
Ph +61 29481 8399 / 1300 467 726
www.ledvance.com.au

IP66 RoHS



C10449057
G11196458
2024-04-29

www.ledvance.com

