

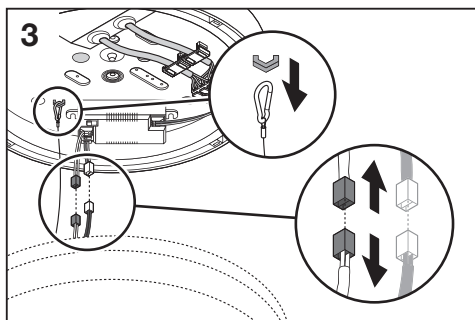
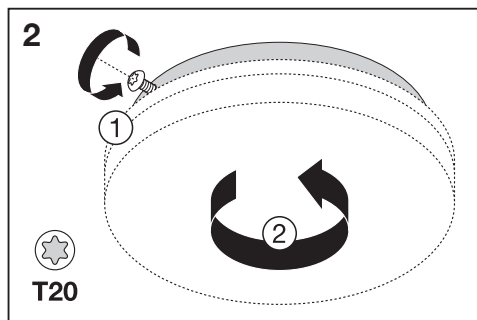
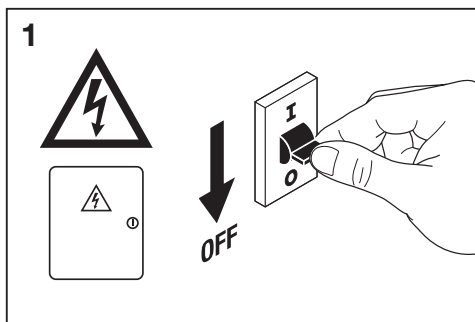
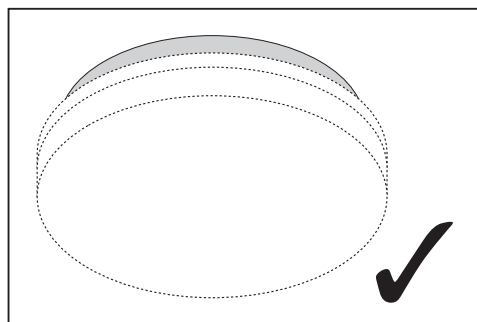
LISOEV 330 / 500 SURFACE FLAT

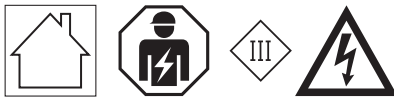
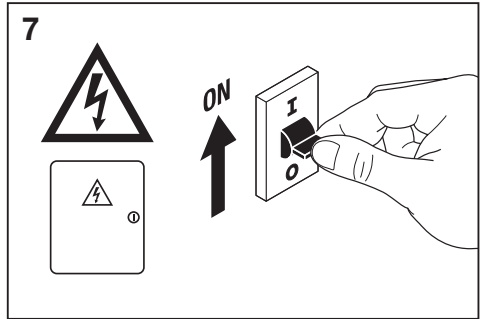
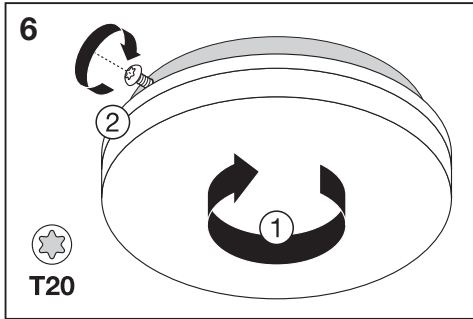
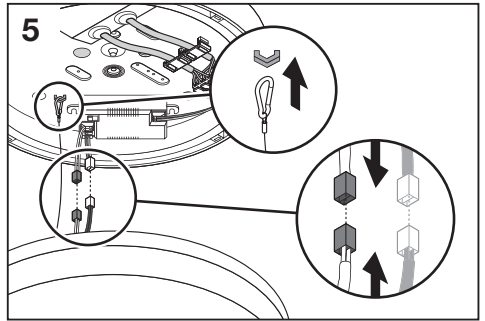
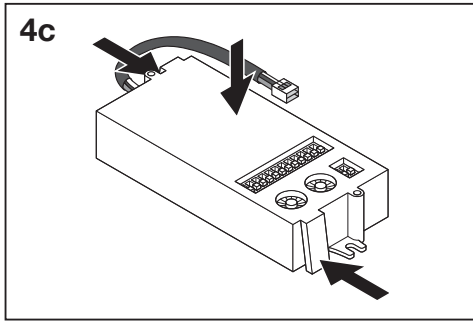
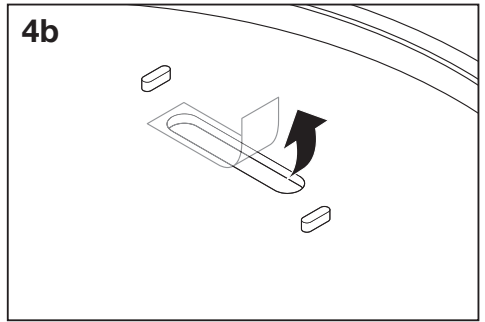
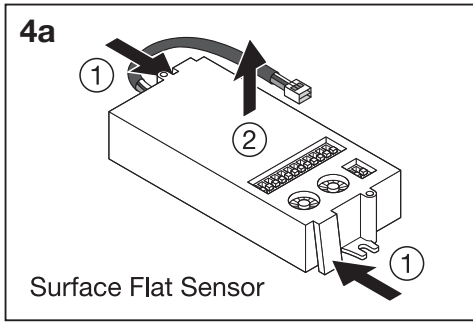


LEDVANCE

	EAN	lxwxh [mm]	W	VDC	mA	°(°C)	IP
LISOEV 330R 19W 830 840 SF FLAT	4099854312212	330x53	16	30-40V	450	-20...+45	20
LISOEV 500R 27W 830 840 SF FLAT	4099854312236	500x55	23	30-40V	650	-20...+45	20
LISOEV 330SQ 19W 830 840 SF FLAT	4099854312250	330x330x53	16	30-40V	450	-20...+45	20
LISOEV 500SQ 27W 830 840 SF FLAT	4099854312274	500x500x55	23	30-40V	650	-20...+45	20

EAN			EAN	
4099854312212	LISOEV 330R 19W 830 840 SF FLAT	→	4099854292378	SF FLAT RD 330 P 19W CPS
			4099854292699	SF FLAT RD SEN 330 P 19W CPS
4099854312236	LISOEV 500R 27W 830 840 SF FLAT	→	4099854292552	SF FLAT RD 500 P 27W CPS
			4099854292736	SF FLAT RD SEN 500 P 27W CPS
			4099854292774	SF FLAT RD DALI 500 P 27W CS
4099854312250	LISOEV 330SQ 19W 830 840 SF FLAT	→	4099854292491	SF FLAT SQ 330 P 19W CPS
			4099854292712	SF FLAT SQ SEN 330 P 19W CPS
			4099854292675	SF FLAT SQ 500 P 27W CPS
4099854312274	LISOEV 500SQ 27W 830 840 SF FLAT	→	4099854292750	SF FLAT SQ SEN 500 P 27W CPS
			4099854292798	SF FLAT SQ DALI 500 P 27W CS





Points de collecte sur www.quefairedemesdechets.fr



www.ledvance.com/everloop



LEDVANCE GmbH
Steinerne Furt 62
86167 Augsburg, Germany
www.ledvance.com

C10238698
G11196300

17.06.24

© LEDVANCE Ltd, Sterling House,
810 Mandarin Court, Warrington, Cheshire,
WA1 1GG, United Kingdom