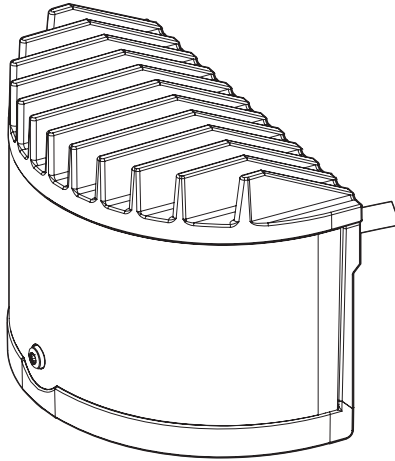



LED PERFORMANCE GUARD RAIL LIGHT



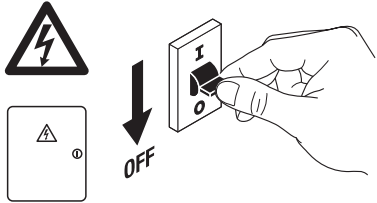
Version	Module Wattage	Input Current	Input Voltage	Connection	Recommended Tested Driver Model	Min # of products	Max # of products
CC	11.6	350 mA	32,81 V	1 to 1	Meanwell XLG-25-AB**	1	1
CC	15	450 mA	32,84 V	1 to 1	Meanwell XLG-25-AB**	1	1
CV	12.6	254 mA	48 V	Parralel	Meanwell HLG-100H-48	3	8
CV	16	325 mA	48 V	Parralel	Meanwell HLG-100H-48	3	6

Version	Module Wattage	Number of LEDs	Lens	l x W x h	Input Current	Input Voltage	IP	IK	Ra	Ta	
CC	11.6	12	PMMA	102 x 76 x 73	350 mA	32,81 V	66	9	70	50°	400 g
CC	15	12	PMMA	102 x 76 x 73	450 mA	32,84 V	66	9	70	50°	400 g
CV	12.6	12	PMMA	102 x 76 x 73	254 mA	48 V	66	9	70	50°	400 g
CV	16	12	PMMA	102 x 76 x 73	325 mA	48 V	66	9	70	50°	400 g

LED PERFORMANCE GUARD RAIL LIGHT

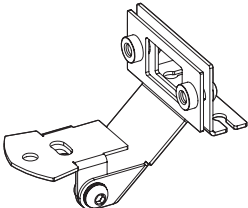
CC Version	IC	Description	Output Voltage V	Output Current mA	CV			CC
					Min # of luminaires	Max # of luminaires CV 12W	Max # of luminaires CV 16W	# of luminaires per driver
LEDVANCE LED OUTDOOR CC PRO IP67 ST FLEX	AC458410055	LVED PRO 30/100-277/950 0-10VP VS14 LEDV	22-56	0.45-0.95	N/A	N/A	N/A	1
	AC339680055	LVED PRO 50/100-277/1A4 0-10VP VS14 LEDV	28-72	0.35-1.4	N/A	N/A	N/A	1
Meanwell XLG 25	N/A	XLG-25 Series 25W	22-54	0.25-1.05	N/A	N/A	N/A	1
TRIDONIC LC024 EXC3	N/A	LC0 24W 200-1050mA 39V one4all NFC C EXC3	39	0.2-1.05	N/A	N/A	N/A	1
LEDVANCE LED OUTDOOR CC PRO IP67 ST FLEX	AC536460055	LVED PRO26/100-277/700 0-10P VS24SC LEDV	26V-52V	0.05-0.5A	N/A	N/A	N/A	1
	AC536470055	LVED PRO42/100-277/700 0-10P VS24SC LEDV	30-60V	0.07-0.7A	N/A	N/A	N/A	1

CV Version	IC	Description	Output Voltage V	Output Current mA	CV			CC
					Min # of luminaires	Max # of luminaires CV 12W	Max # of luminaires CV 16W	# of luminaires per driver
Meanwell HLG-100H-48	N/A	HLG-100H-48	48	1.25-2	3	8	6	N/A
Meanwell HLG-150H-48	N/A	HLG-150H-48	48	1.92-3.2	6	12	9	N/A
Meanwell HLG-240H-48	N/A	HLG-240H-48	48	2.5-5	10	19	14	N/A
Meanwell HLG-480H-48	N/A	HLG-480H-48	48	5-10	20	39	29	N/A
LEDVANCE PFM 350W/220-240/48 P	N/A	LVED PFM 350/220-240/48 P	48	0-7.3	15	29	21	N/A

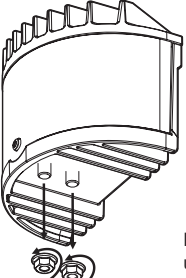


Disconnect the power supply line before any type of intervention on the products and relative wiring

LDPFM STANDARD GUARD RAIL KIT
EAN 4099854156724

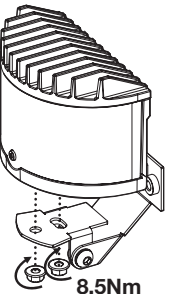


1



Remove the two nuts under the luminaire

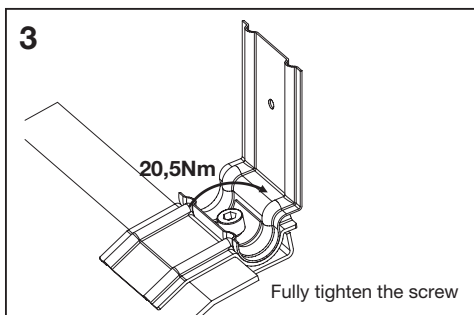
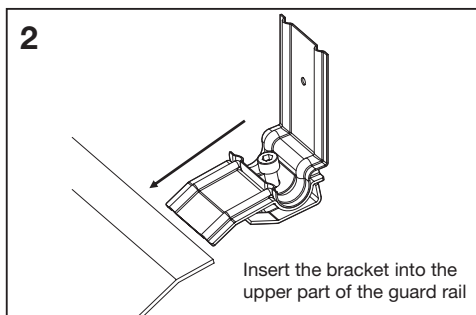
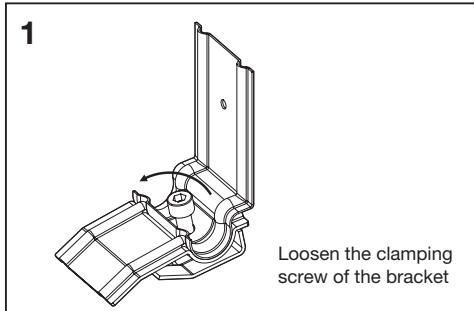
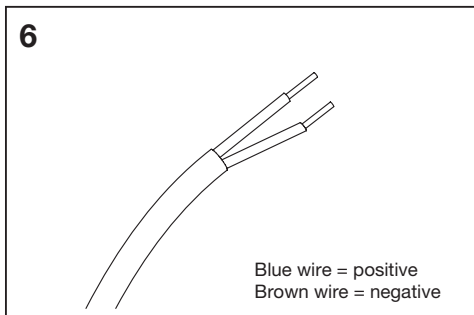
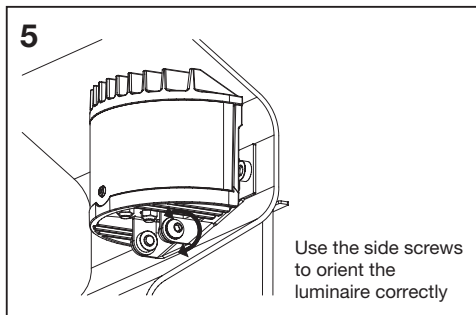
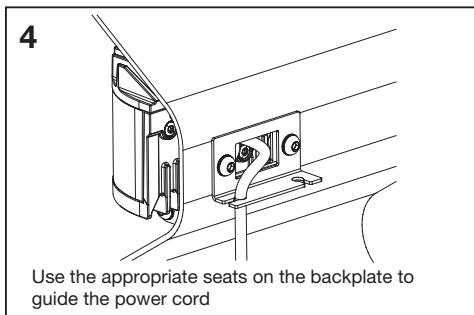
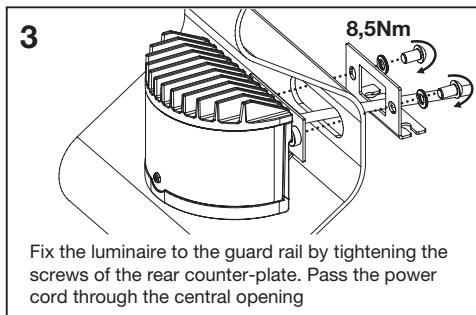
2



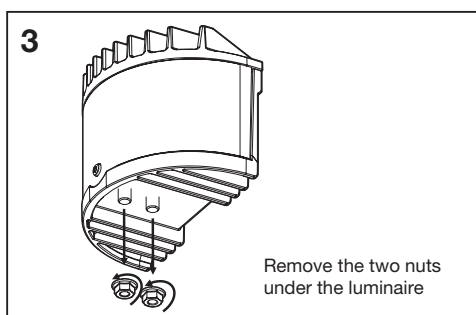
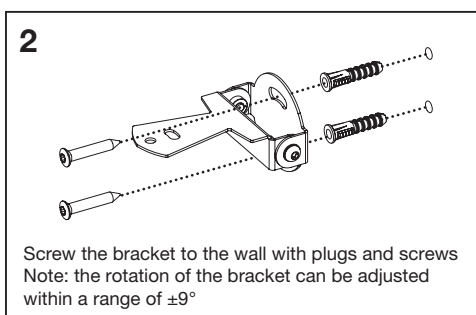
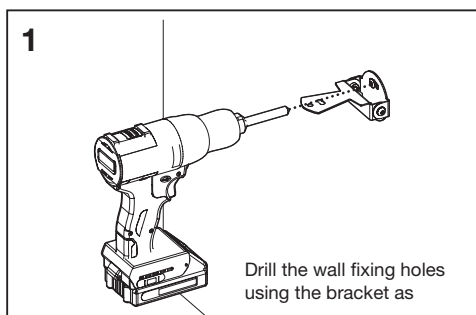
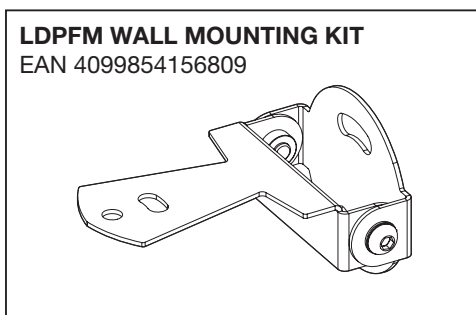
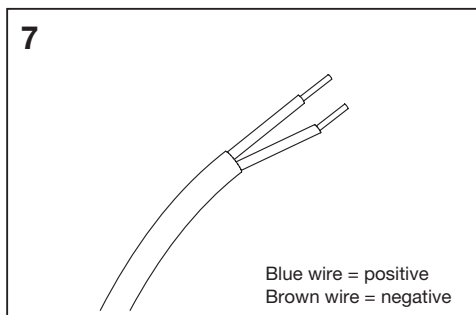
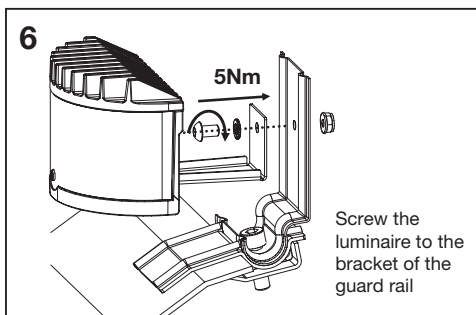
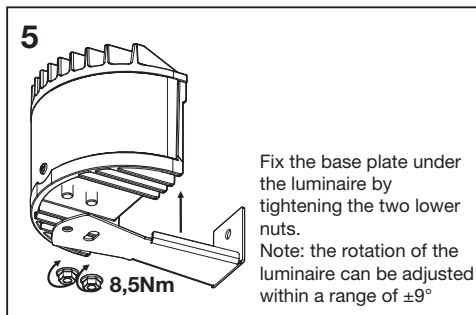
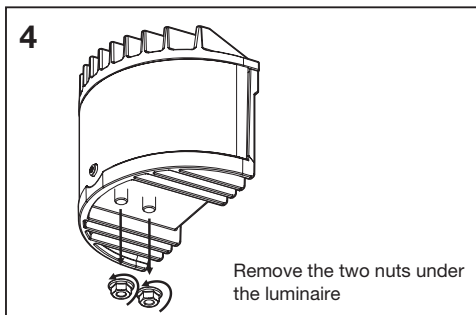
Fix the luminaire to the bracket by tight-ning the two lower nuts.
Note: the rotation of the lu-minaire can be adjusted wi-thin a range of $\pm 9^\circ$

8,5Nm

LED PERFORMANCE GUARD RAIL LIGHT

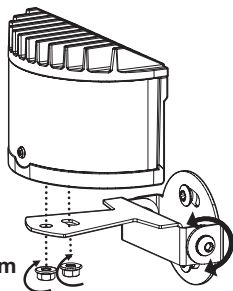


LED PERFORMANCE GUARD RAIL LIGHT



LED PERFORMANCE GUARD RAIL LIGHT

4



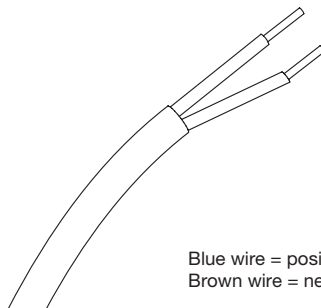
8,5Nm

Fix the luminaire to the bracket by tightening the two lower nuts.

Note: the rotation of the luminaire can be adjusted within a range of $\pm 9^\circ$.

Use the side screws to orient the luminaire correctly

5



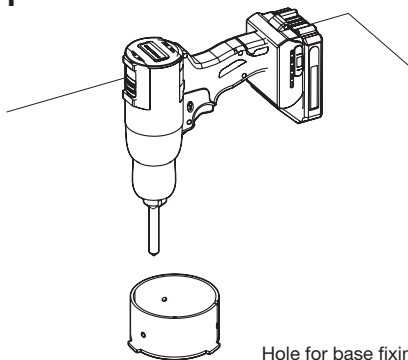
Blue wire = positive
Brown wire = negative

LDPFM BOLLARD MOUNTING KIT

EAN 4099854156823

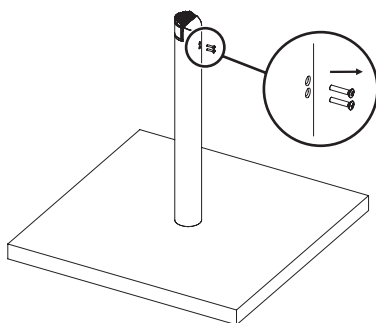


1



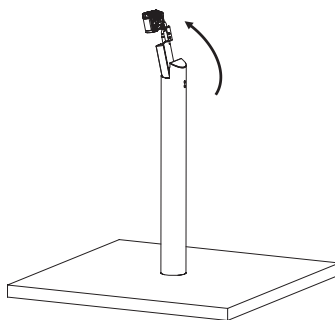
Hole for base fixing

2



Remove the fixing screws of the lighting body

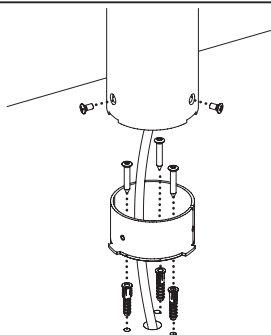
3



Remove the lighting body

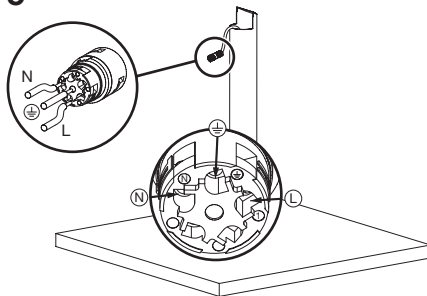
LED PERFORMANCE GUARD RAIL LIGHT

4



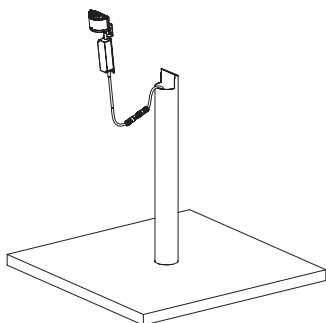
Insert the electric power cable from the pole and block the pole in the final position with plugs and screws

5



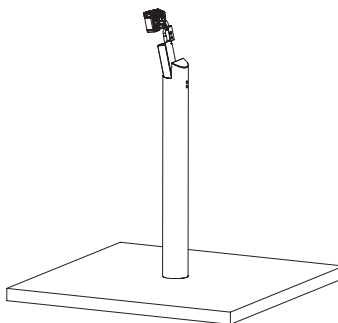
Cabling the connector according to the diagram shown

6



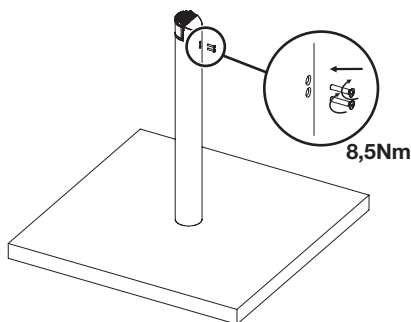
Connect the two connectors: lighting body and line cable

7



Place the lighting unit in its final position

8

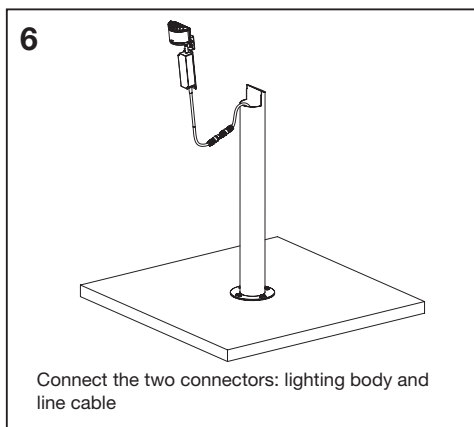
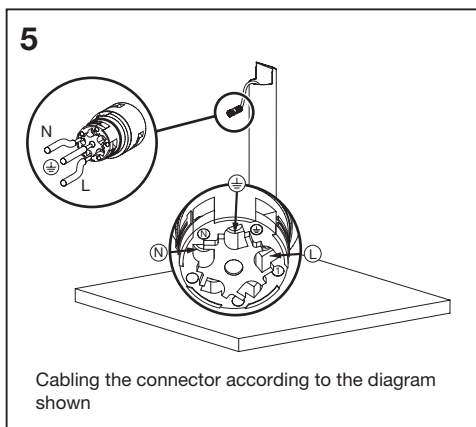
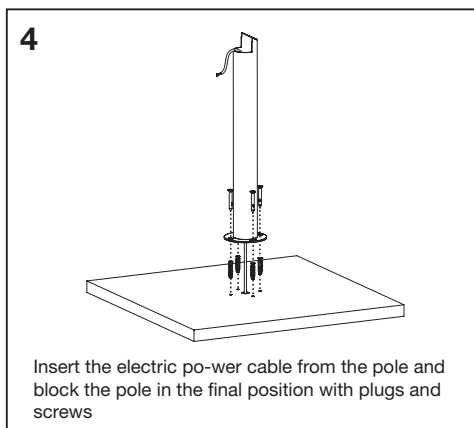
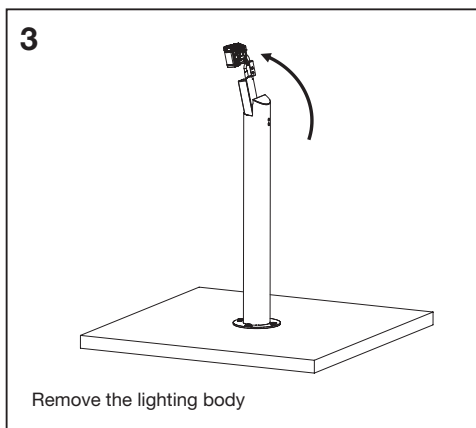
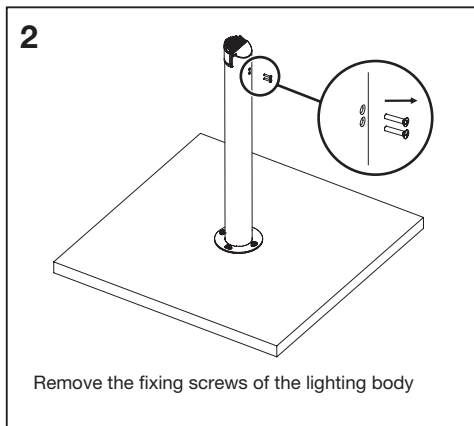
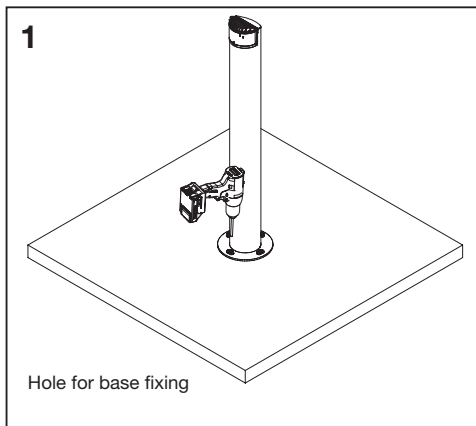


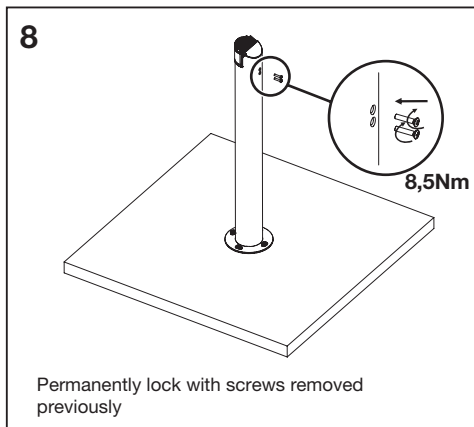
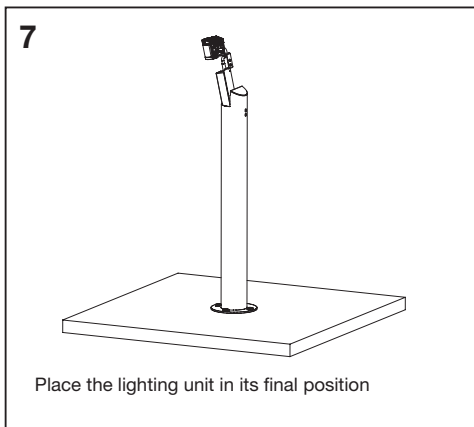
Permanently lock with screws removed previously

LDPFM BOLLARD MOUNTING KIT BASE
EAN 4099854156830



LED PERFORMANCE GUARD RAIL LIGHT





WARNING:

- The external flexible cable or cord of this luminaire cannot be replaced; if the cord is damaged, the luminaire shall be destroyed.
- Outdoor use only.
- The light source contained in this luminaire is not replaceable, when the light source reaches its end of life, the whole luminaire shall be replaced.
- In the final application the luminaire shall be supplied with a SELV type LED controlgear in compliance with requirements of IEC/EN 61347 Series, protected from overload and short circuits.
- Terminal block shall be conform to IEC 60998-2-1 or IEC 60998-2-2; Terminal type: screw or screwless; N.2 terminals; Rated Voltage: 450V AC; Cable stripping length 30mm; Conductor stripping length 8mm; IP rating: IP68.
- The luminaire should be positioned so that prolonged staring into the luminaire at a distance closer than 2,17m is not expected.

©SP LEDVANCE Pte. Ltd.
320 Serangoon Road #14-02,
Centrium Square 218108, Singapore.
Phone +65 6911 8260

©HK LEDVANCE Prosperity Co., Ltd.
20/F, Cornell Centre, 50 Wing Tai Rd.,
Chai Wan, Hong Kong

©AE LEDVANCE MIDDLE EAST FZE
Office No. LB040123
PO Box 17476, Jebel Ali Free Zone
Dubai, United Arab Emirates
Tel.: +971 4 881 37 67
Fax: +971 4 881 37 69

©KR (주)레드밴스
서울시 강남구 삼성로554예성빌딩6층
(우편번호 06165)
전화번호: +82 80 489 1700
www.ledvance.co.kr

©IN LEDVANCE Pvt. Ltd.
1201-1202, 12th Floor, Signature Towers, Tower -A,
South City -I, Gurugram - 122001, Haryana (India)
Consumer care cell (Name and address as per above),
Consumer care Tel. No. 0124-4150100
Toll Free Number – 18001026258
E-mail id: customercare@ledvance.com
www.ledvance.in

©MY LEDVANCE Sdn. Bhd. (1166537-U)
100.7.009, 129 Offices, Block J, Jaya One
No. 72A, Jalan Universiti,
46200 Petaling Jaya,
Selangor Darul Ehsan, Malaysia

©10449057
G11170628
2023-06-16