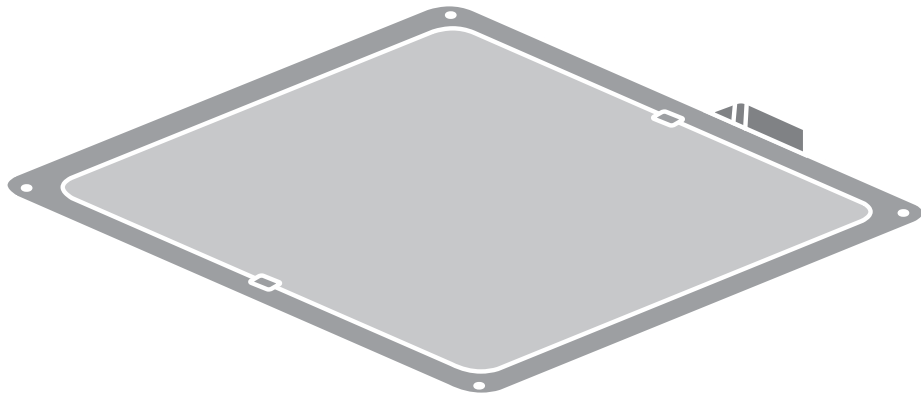
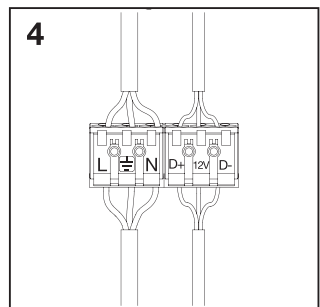
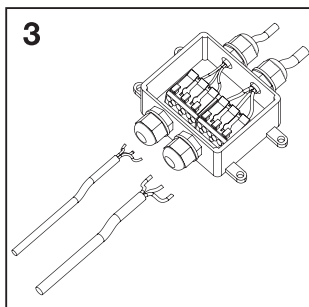
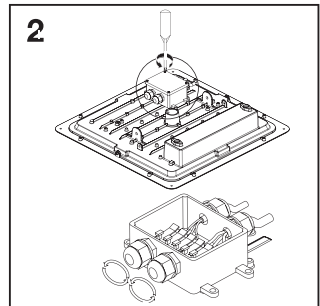
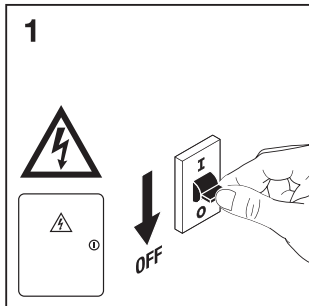
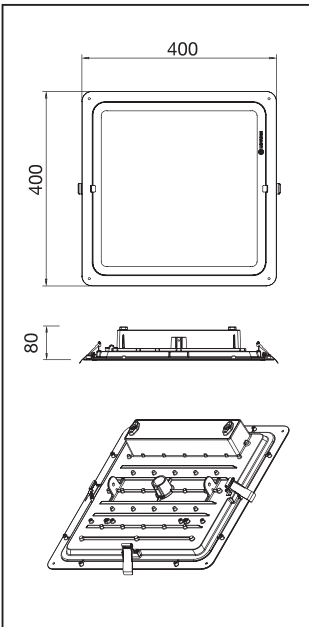
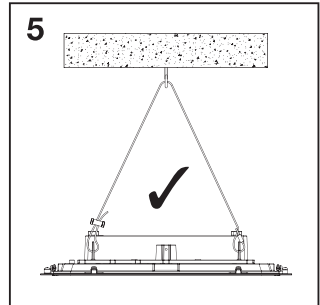
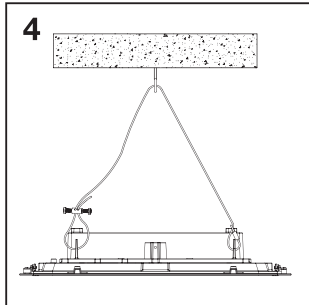
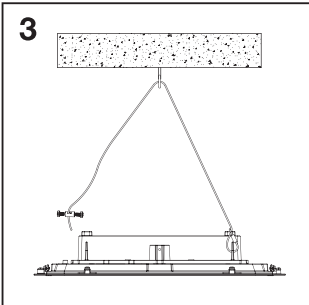
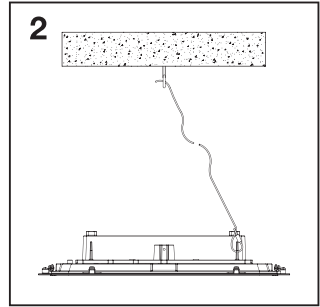
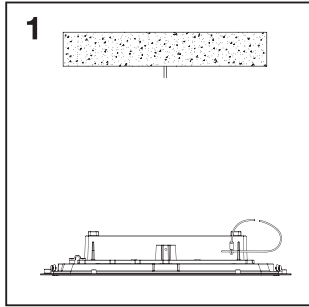
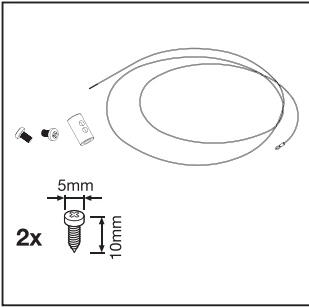


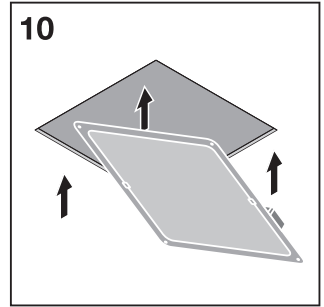
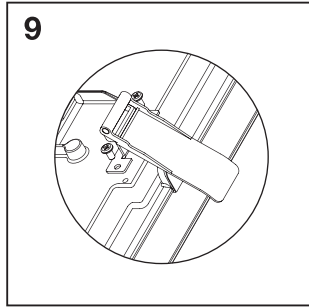
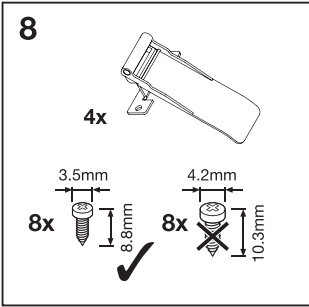
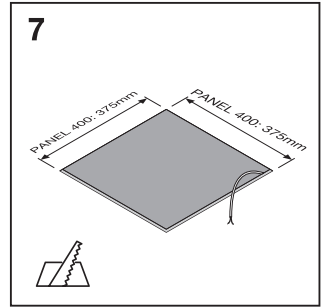
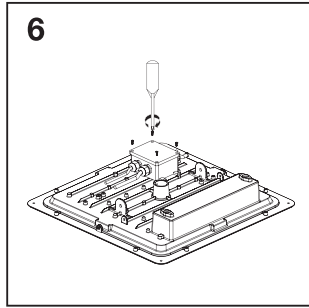
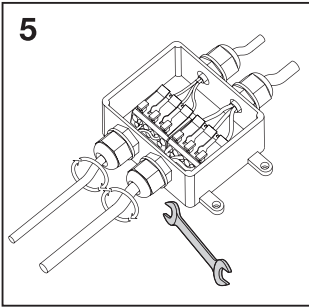
CANOPY COMPACT

	EAN	l x w x h [mm]	W	VAC	Hz	lm	lm/W	K
CANOPY COMP V 60W 840 IP66 DIM	4099854182501	400 x 400 x 70	60	220-240	50/60	8100	135	4000
CANOPY COMP V 60W 857 IP66 DIM	4099854182525	400 x 400 x 70	60	220-240	50/60	8100	135	5700
CANOPY COMP V 95W 840 IP66 DIM	4099854182549	400 x 400 x 70	95	220-240	50/60	12825	135	4000
CANOPY COMP V 95W 857 IP66 DIM	4099854182563	400 x 400 x 70	95	220-240	50/60	12825	135	5700
CANOPY COMP V 145W 840 IP66 DIM	4099854182587	400 x 400 x 70	145	220-240	50/60	19575	135	4000
CANOPY COMP V 145W 857 IP66 DIM	4099854182600	400 x 400 x 70	145	220-240	50/60	19575	135	5700

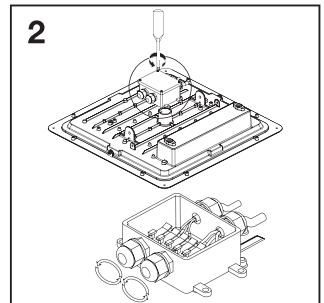
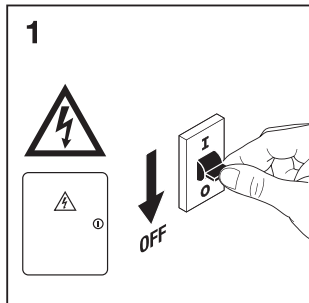
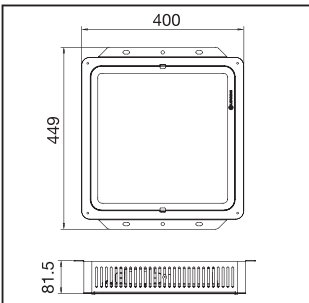
	EAN	IP	IK	▽	R _a	°C	PF	👤
CANOPY COMP V 60W 840 IP66 DIM	4099854182501	66	08	110	>80	-40° .. +50°	>0.9	3,4kg
CANOPY COMP V 60W 857 IP66 DIM	4099854182525	66	08	110	>80	-40° .. +50°	>0.9	3,4kg
CANOPY COMP V 95W 840 IP66 DIM	4099854182549	66	08	110	>80	-40° .. +50°	>0.9	3,6kg
CANOPY COMP V 95W 857 IP66 DIM	4099854182563	66	08	110	>80	-40° .. +50°	>0.9	3,6kg
CANOPY COMP V 145W 840 IP66 DIM	4099854182587	66	08	110	>80	-40° .. +50°	>0.9	3,6kg
CANOPY COMP V 145W 857 IP66 DIM	4099854182600	66	08	110	>80	-40° .. +50°	>0.9	3,6kg

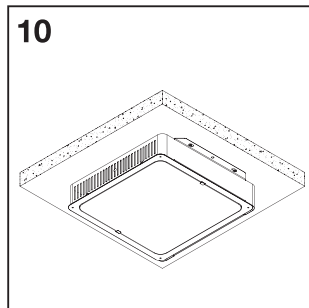
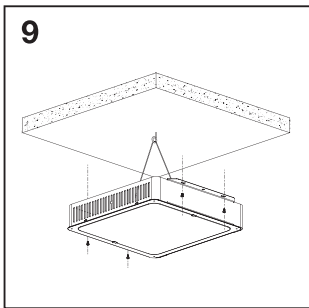
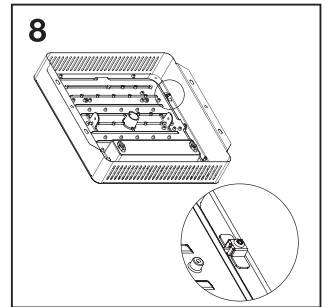
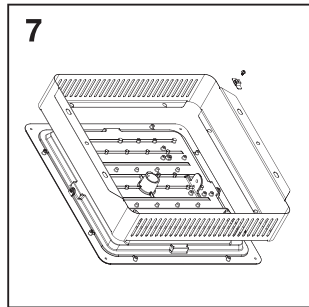
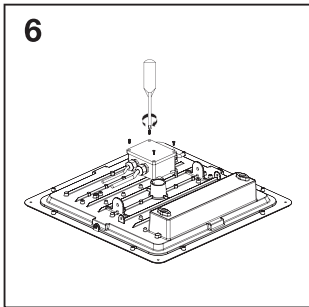
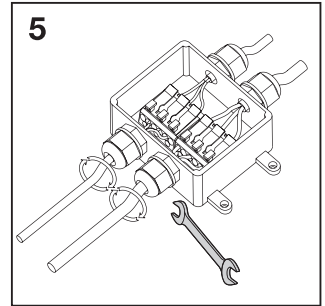
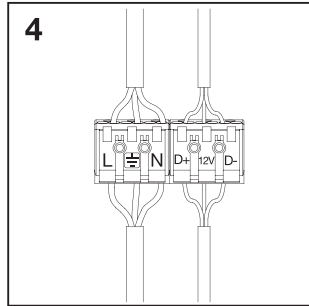
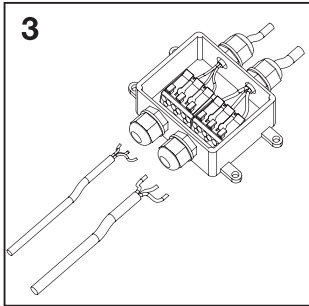




SURFACE MOUNTING

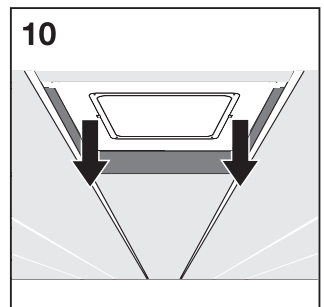
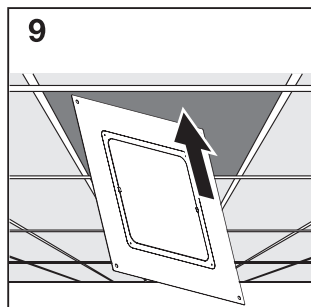
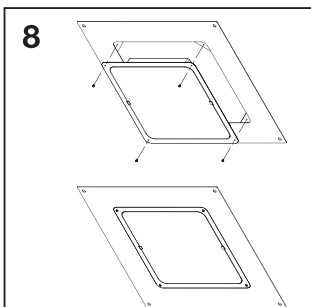
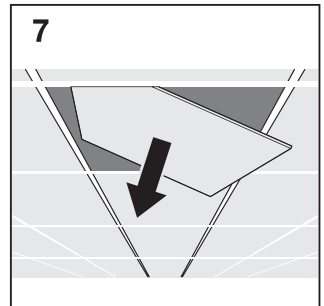
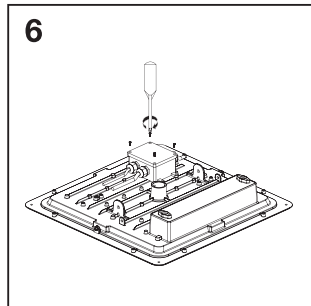
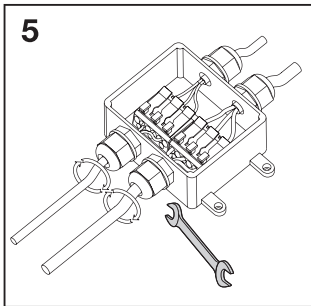
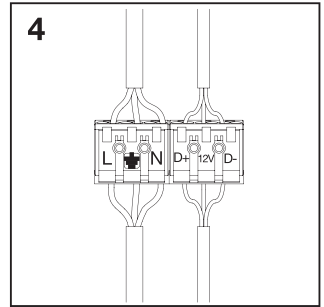
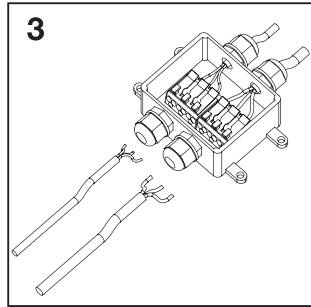
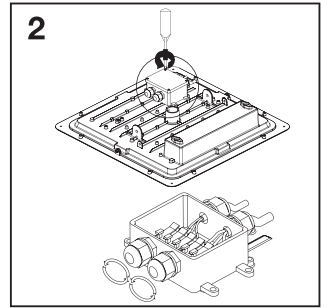
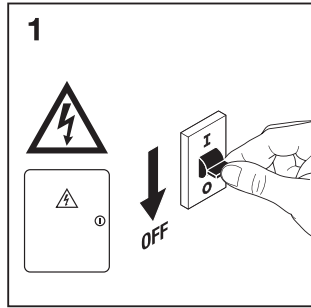
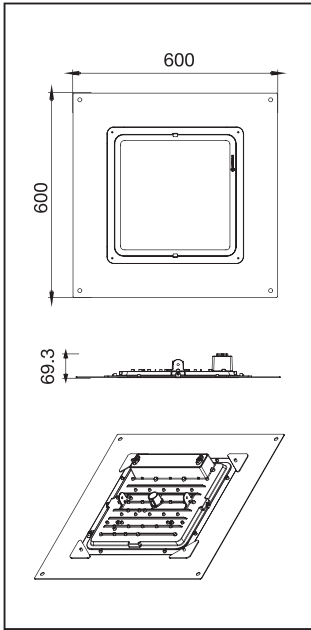
	EAN		PRODUCT	EAN
CANOPY COMP V 60W 840 IP66 DIM	4099854182501	+	CANOPY COMPACT SURFACE FRAME	4099854194634
CANOPY COMP V 60W 857 IP66 DIM	4099854182525			
CANOPY COMP V 95W 840 IP66 DIM	4099854182549			
CANOPY COMP V 95W 857 IP66 DIM	4099854182563			
CANOPY COMP V 145W 840 IP66 DIM	4099854182587			
CANOPY COMP V 145W 857 IP66 DIM	4099854182600			





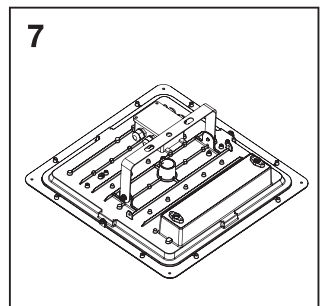
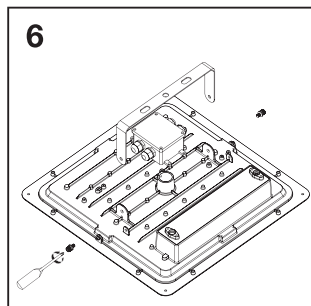
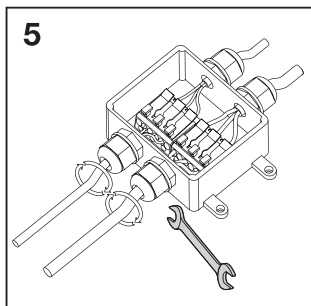
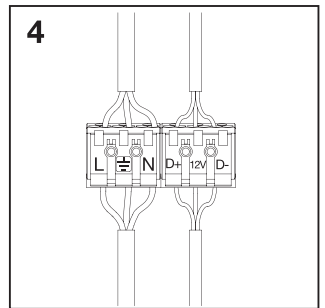
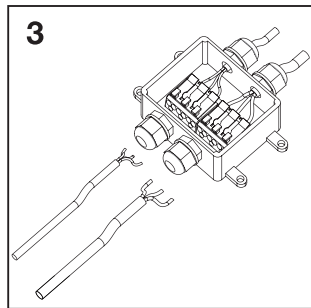
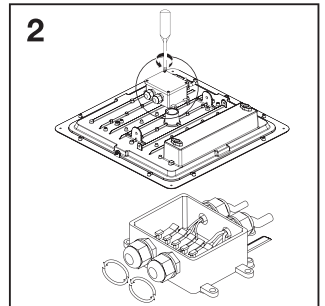
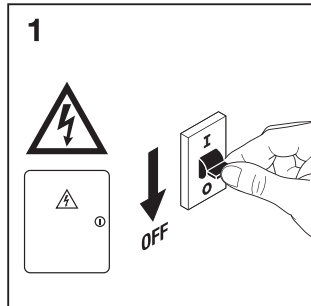
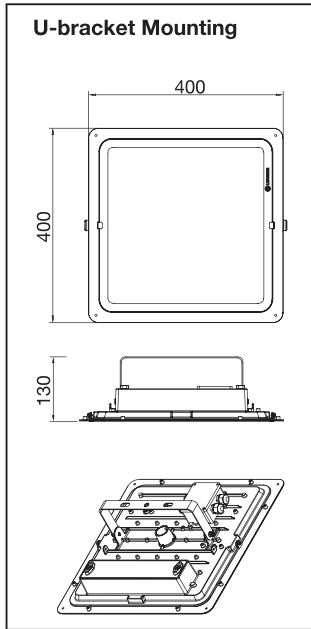
RECESSED MOUNTING

	EAN		PRODUCT	EAN
	CANOPY COMP V 60W 840 IP66 DIM	4099854182501	+	CANOPY COMPACT COVER PLATE KIT
	CANOPY COMP V 60W 857 IP66 DIM	4099854182525		
	CANOPY COMP V 95W 840 IP66 DIM	4099854182549		
	CANOPY COMP V 95W 857 IP66 DIM	4099854182563		
	CANOPY COMP V 145W 840 IP66 DIM	4099854182587		
	CANOPY COMP V 145W 857 IP66 DIM	4099854182600		



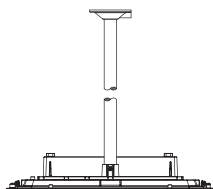
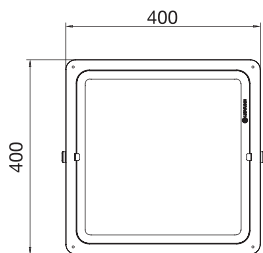


	EAN	+	PRODUCT	EAN
CANOPY COMP V 60W 840 IP66 DIM	4099854182501		+	CANOPY COMPACT U BRACKET
CANOPY COMP V 60W 857 IP66 DIM	4099854182525			
CANOPY COMP V 95W 840 IP66 DIM	4099854182549			
CANOPY COMP V 95W 857 IP66 DIM	4099854182563			
CANOPY COMP V 145W 840 IP66 DIM	4099854182587			
CANOPY COMP V 145W 857 IP66 DIM	4099854182600			

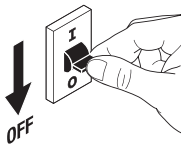




Pole Mounting

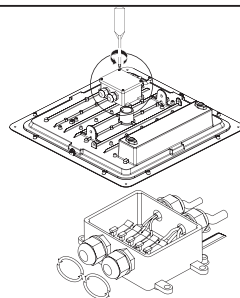


1

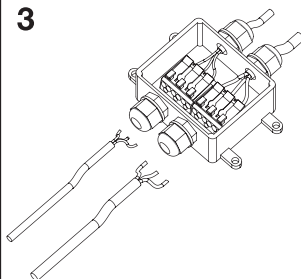


OFF

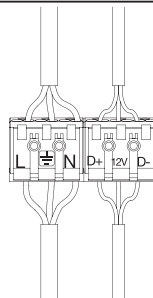
2



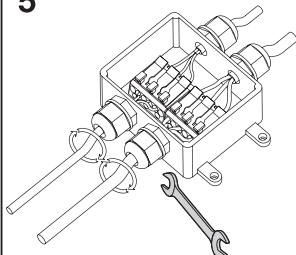
3



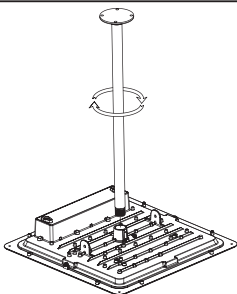
4



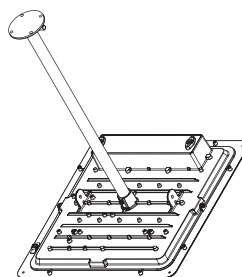
5



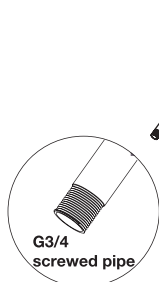
6



7

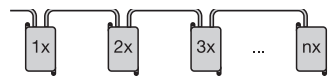
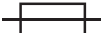
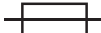
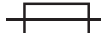


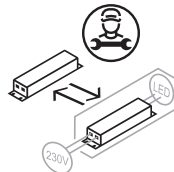
8



G3/4
screwed pipe

**

	B16A 	C10A 	C16A 
CANOPY COMP V 60W	n = 5	n = 5	n = 8
CANOPY COMP V 95W	n = 5	n = 5	n = 8
CANOPY COMP V 145W	n = 5	n = 5	n = 8



Raccolta Carta
Verifica le disposizioni
del tuo comune.



FR
Cet appareil,
ses accessoires
et son cordon,
se recyclent

À DÉPOSER
EN MAGASIN



À DÉPOSER
EN DÉCHÈTERIE



Points de collecte sur www.quefairedemesdechets.fr



LEDVANCE SASU
CQM, 5 rue d'Altorf
67120 Molsheim France
www.ledvance.com

C10449057
G11210179
20.02.25

© LEDVANCE Ltd, Sterling House, 810
Mandarin Court, Warrington, Cheshire,
WA1 1GG, United Kingdom