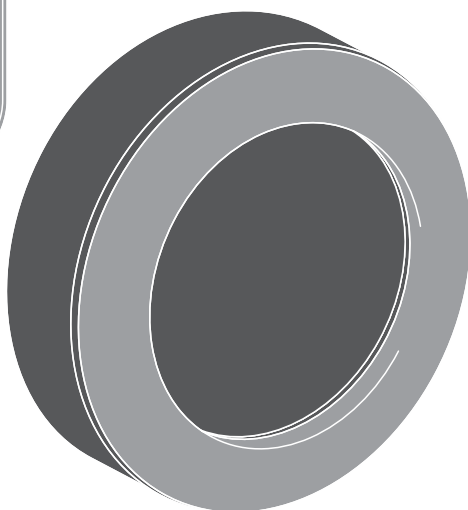
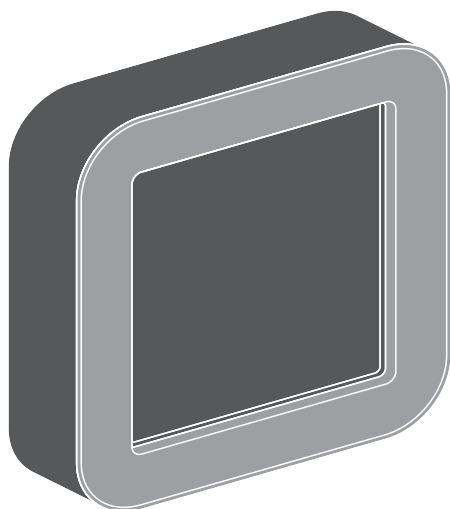


Outdoor Surface SQ/RD



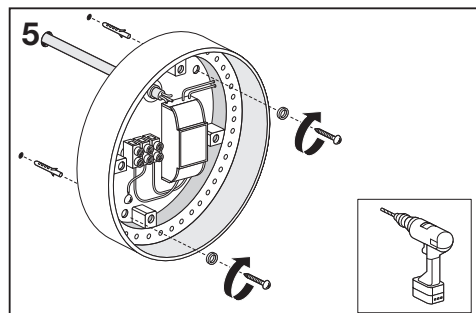
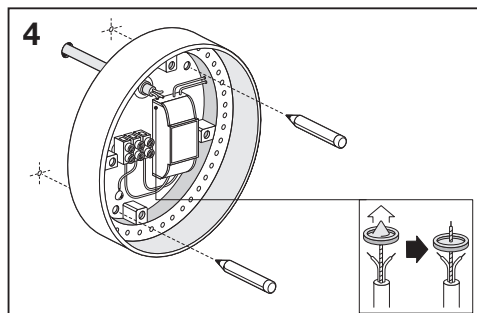
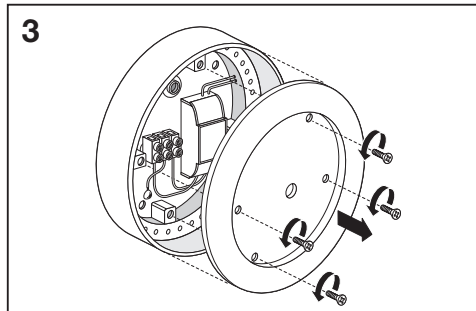
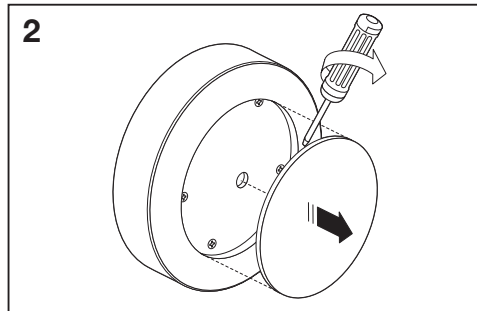
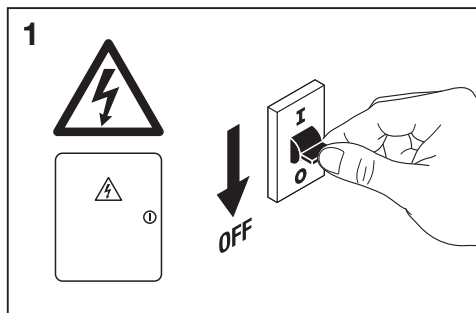
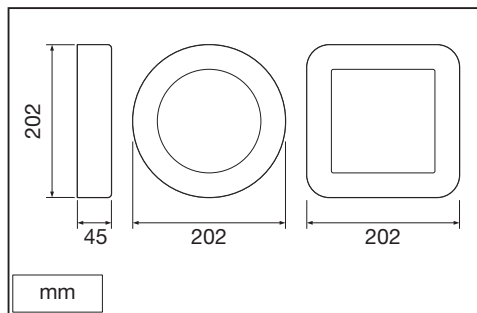
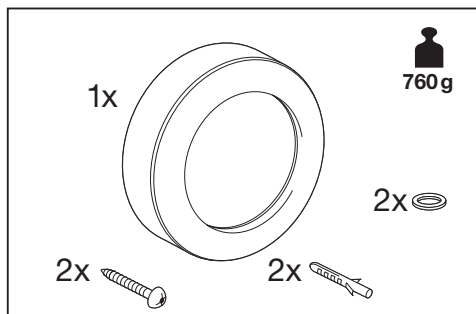
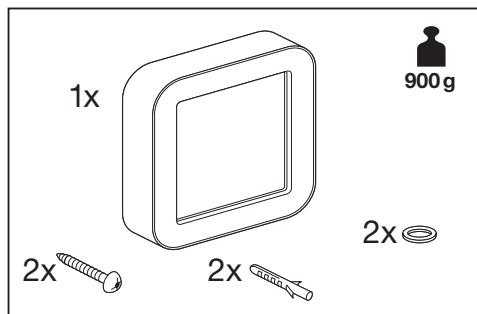
	EAN	L x W x H	W	lm	lm/W	K	IP	IK
Outdoor Surface RD 13W/3000K GY IP54	4058075074897	(Ø) 202 x 45	13	500	35	3000K	54	06
Outdoor Surface RD 13W/3000K WT IP54	4058075074910	(Ø) 202 x 45	13	600	45	3000K	54	06
Outdoor Surface SQ 13W/3000K GY IP54	4058075074934	202 x 202 x 45	13	500	35	3000K	54	06
Outdoor Surface SQ 13W/3000K WT IP54	4058075074958	202 x 202 x 45	13	600	45	3000K	54	06

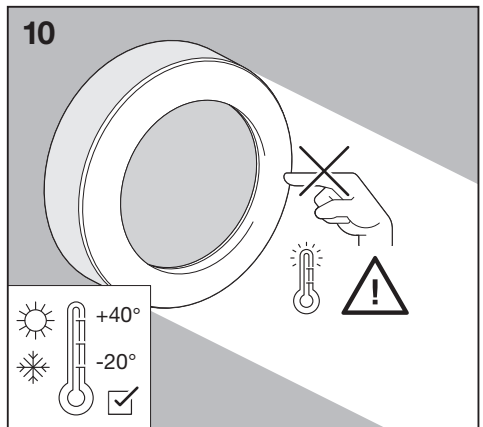
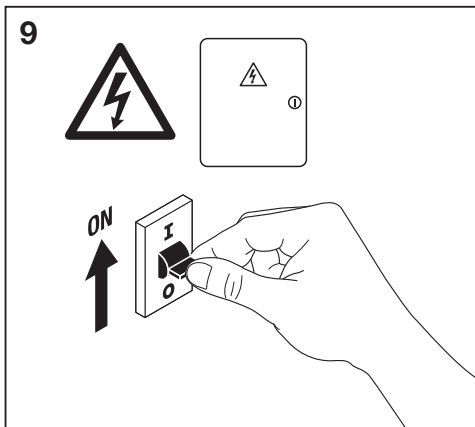
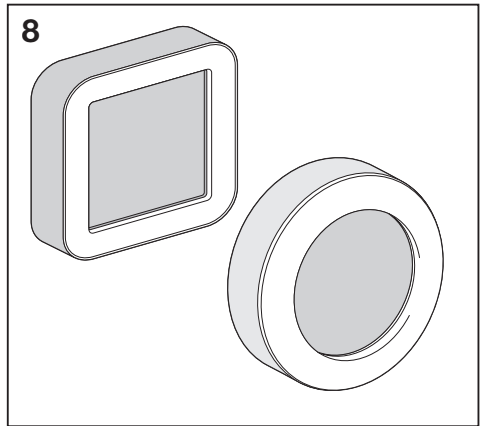
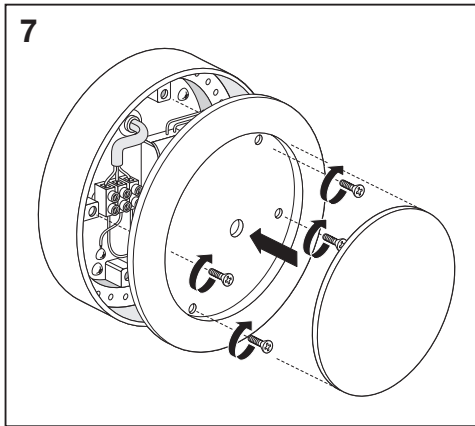
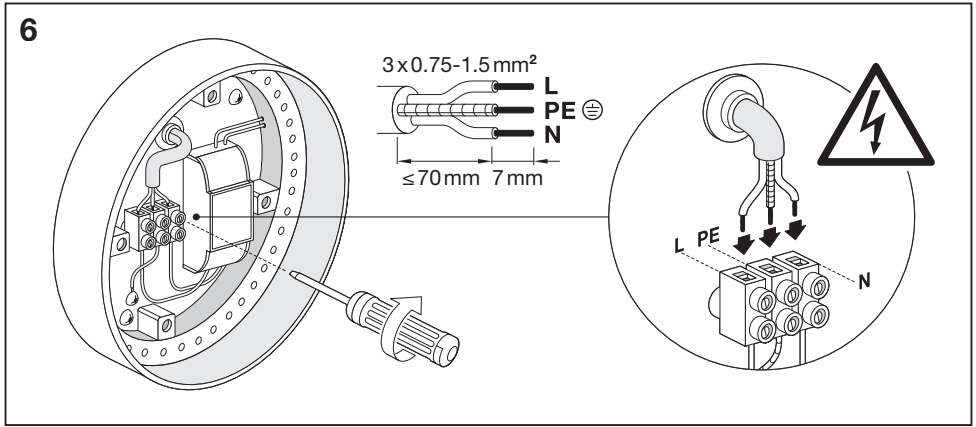
	EAN	⚡	🌡️ (°C)	PF	℞ _a	V _{AC}	Hz	👤
Outdoor Surface RD 13W/3000K GY IP54	4058075074897	100°	-20...40	≥ 0.5	> 80	220-240V	50/60 Hz	0.8 kg
Outdoor Surface RD 13W/3000K WT IP54	4058075074910	100°	-20...40	≥ 0.5	> 80	220-240V	50/60 Hz	0.8 kg
Outdoor Surface SQ 13W/3000K GY IP54	4058075074934	100°	-20...40	≥ 0.5	> 80	220-240V	50/60 Hz	0.9 kg
Outdoor Surface SQ 13W/3000K WT IP54	4058075074958	100°	-20...40	≥ 0.5	> 80	220-240V	50/60 Hz	0.9 kg



LEDVANCE

Outdoor Surface SQ/RD





www.luminaires.ledvance.com



Downlight



Spot



Linear



Panel



Surface



DampProof



HighBay



Floodlight



C10449057
G11027761
25.10.17

LEDVANCE GmbH
Steinerne Furt 62
86167 Augsburg
Germany
www.ledvance.com