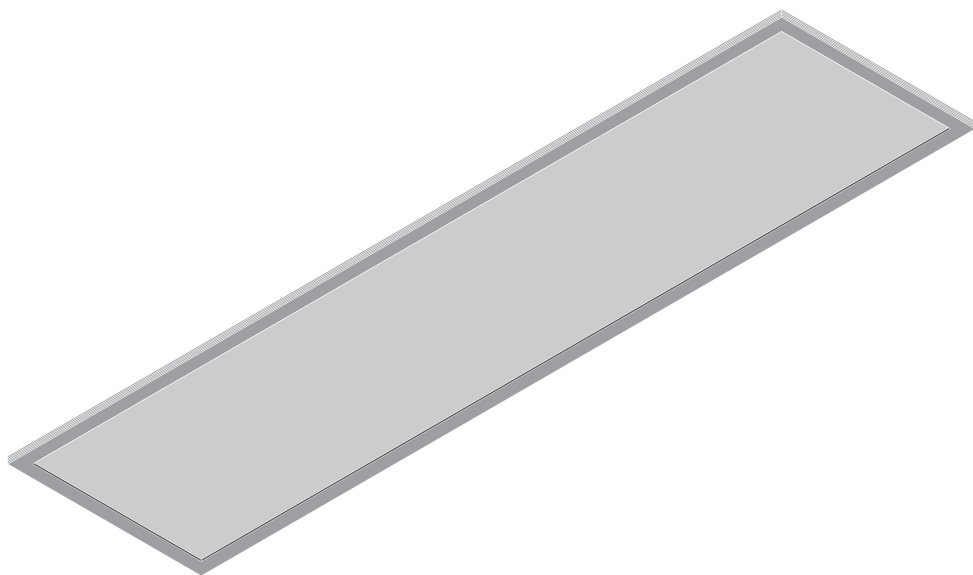




Panel LED DALI (2.0 ready)



	EAN	L x W x H	W	lm	lm/W	K	IP	IK		R _a	
Panel LED 1200 DALI 33W/3000K UGR<19	4058075041950	1195x295x10.5	33	3100	95	3000	20	06	90°	>80	3.3 kg
Panel LED 1200 DALI 33W/4000K UGR<19	4058075041974	1195x295x10.5	33	3300	110	4000	20	06	90°	>80	3.3 kg
Panel LED 1200 DALI 40W/3000K	4058075042018	1195x295x10.5	40	4000	100	3000	20	06	120°	>80	3.3 kg
Panel LED 1200 DALI 40W/4000K	4058075041998	1195x295x10.5	40	4000	100	4000	20	06	120°	>80	3.3 kg



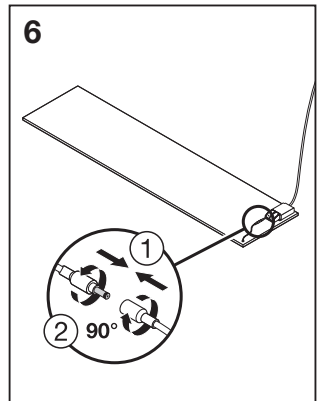
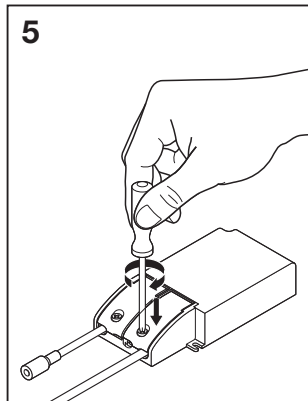
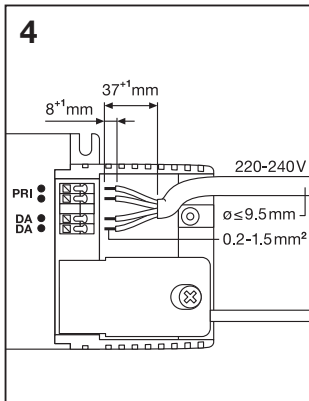
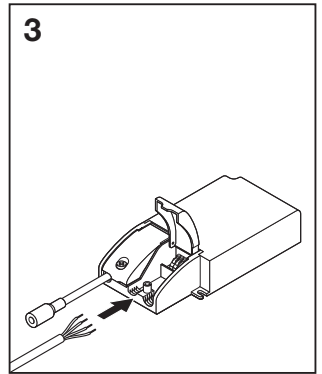
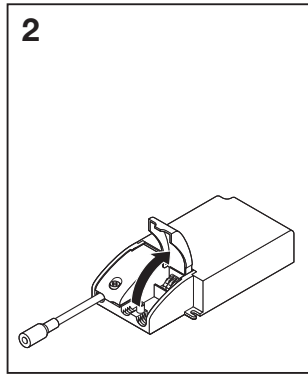
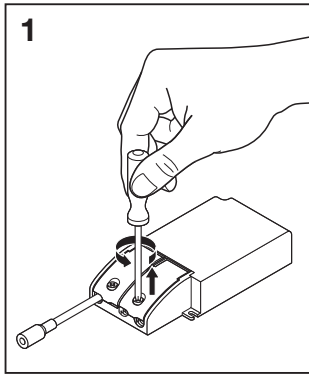
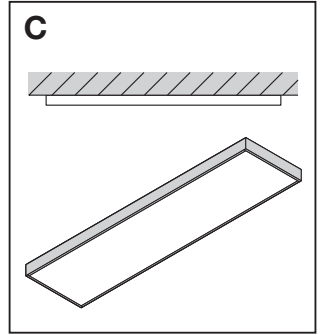
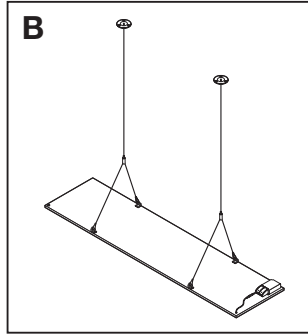
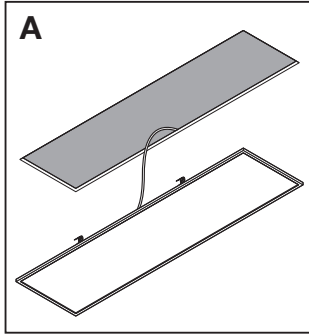
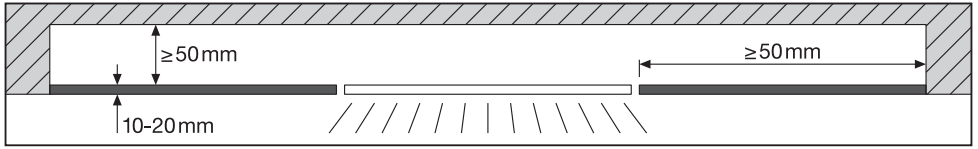
SMD
LED

IP20

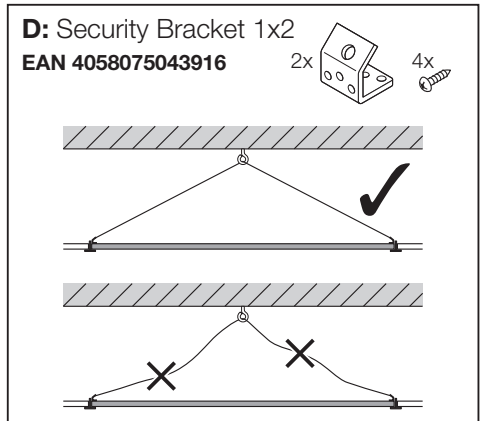
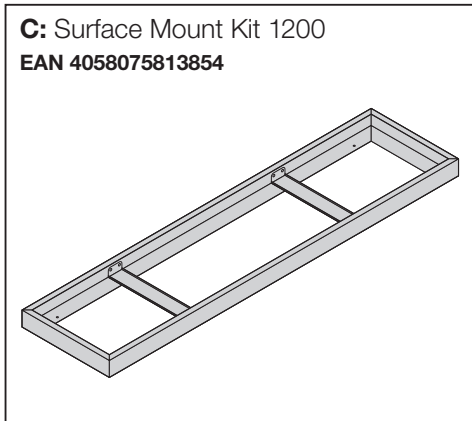
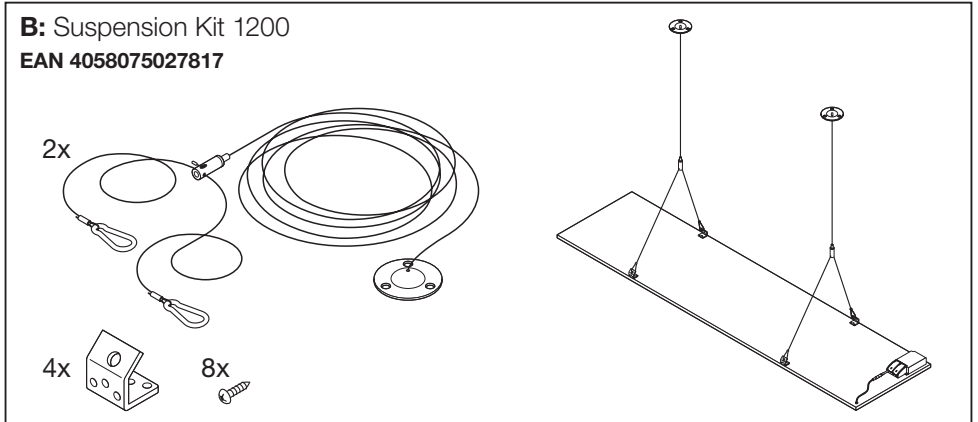
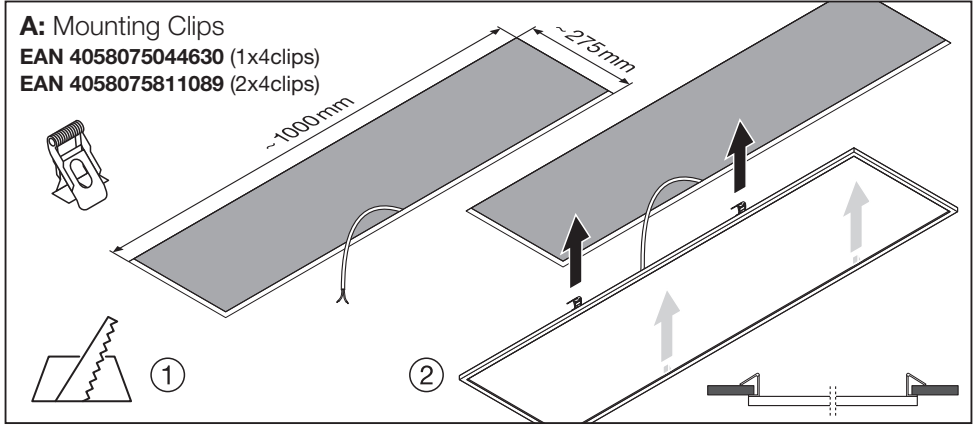


LEDVANCE




Panel LED DALI



Panel LED DALI



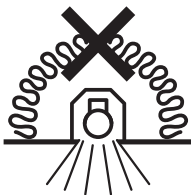
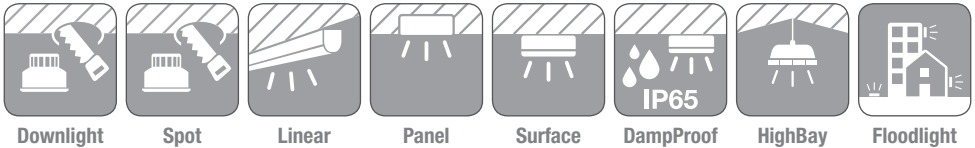


		C10A 	B16A 	C16A 
Panel LED 1200 DALI	33W UGR<19	32	35	50
	40W			

		DALI	I_{OUT} [mA]	RLEDset [Ω]
Panel LED 1200 DALI	33W UGR<19	EAN 4052899488168 OTi DALI 35/220-240/1A0 LT2	900 @ 22-35V 60V Max.	5.6 k
	40W	EAN 4052899488182 OTi DALI 50/220-240/1A4 LT2 FAN	1200 @ 22-30V 60V Max.	4.3 k

	EAN	Temp (°C)	V _{AC}	Hz	I _{OUT} [mA]	PF
Panel LED 1200 DALI 33W/3000K UGR<19	4058075041950	-10...+45	220-240V	50/60 Hz	900 @ 22-35V 60V Max.	> 0.95
Panel LED 1200 DALI 33W/4000K UGR<19	4058075041974	-10...+45	220-240V	50/60 Hz	900 @ 22-35V 60V Max.	> 0.95
Panel LED 1200 DALI 40W/3000K	4058075042018	-10...+45	220-240V	50/60 Hz	1200 @ 22-30V 60V Max.	> 0.95
Panel LED 1200 DALI 40W/4000K	4058075041998	-10...+45	220-240V	50/60 Hz	1200 @ 22-30V 60V Max.	> 0.95

www.luminaires.ledvance.com



RoHS



C10449057
G11019674
21.06.17

LEDVANCE GmbH
Steinerne Furt 62
86167 Augsburg
Germany
www.ledvance.com