

LEDVANCE VALUE RGB Dimming Controller

MS-CV-DIM-RF 12/24V RGB

Features

- Compatible to work with LEDVANCE VALUE RGB Remote Controller (Model: MS-CV-DIM RF 12/24V RGB RM) and LEDVANCE VALUE 24V Constant Voltage Drivers;
- The LEDVANCE VALUE remote controllers & dimming controllers would provide stepless dimming experience thanks to stepless dimming ring on panel;
- Countless dimming controllers with LEDVANCE VALUE strips can be controlled at the same time within 1 zone if the distance between the controllers is less than 30 meters;
- One LEDVANCE Value Tunable White Remote Controller is able to synchronize 4 dimming controllers separately via 4-channel design panel on remote controller;
- One dimming controller can be connected and controlled by up to 10 LEDVANCE VALUE RGB Remote Controllers;

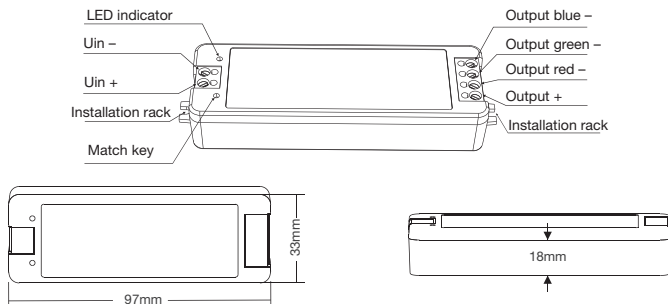
Technical Parameters

Input and Output	
Input voltage	12-24VDC
Input current	12.5A
Output voltage	3 x (12-24)VDC
Output current	3CH,4A/CH
Output power	144-288W(12-24V)
Output type	Constant voltage

Dimming data	
Input signal	RF 2.4GHz
Control distance	30m
Dimming level	4096 levels
Dimming range	0-100%
Dimming curve	Logarithmic
PWM Frequency	750Hz (default)

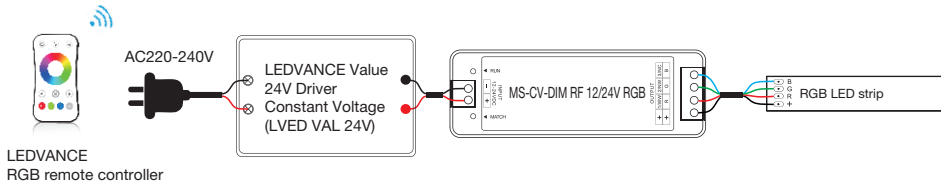
Application	
Operation temperature	Ta:-30°C~+55°C
Case temperature (Max.)	Tc:+85°C
IP rating	IP20
Protection	Reverse Polarity

Mechanical Structures and Installations Guide



LEDVANCE VALUE RGB Dimming Controller

Wiring Diagram



Application Guide

Match Remote Control (two match ways)

Method A - Use match button

Shortly press the match button on the dimming controller and the signal blue light on the dimming controller will start to flicker;

Immediately press "1" or other number of zone button on the remote controller;

Method B - Restart the power

Turn off the power and turn on the power;

Immediately press "1" or other number of zone button on the remote controller for 3 times;

! When the blue signal light on the dimming controller flickers quickly for 3 times, the dimming controller and remote controller are pair-up successfully.

Guide of unting the remote controllers and dimming controllers

Method A - Use match button

Press the match button continuously for 5 seconds.

Method B - Restart the power

Turn off the power and turn on the power again.

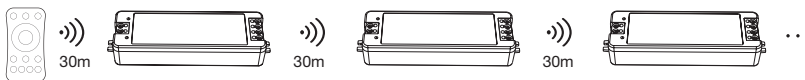
Immediately press the "1" or other number of zone button on the remote controller for 5 times.

! The remote controller would be untied with the dimming controller after the blue signal light flickers 5 times.

Application notes

1. If you wonder to give the same instruction to all the dimming controllers with strips connected, please kindly ensure that each dimming controller stay no longer than 30 meters away from the nearest dimming controller. The dimming controllers to be connected by remote controllers can be unlimited following this application guide;

* Maximum distance between nearest and farthest dimming controller should be within 100 meters.



2. If you wonder to give separated instruction to each dimming controller with strip connected, you may control up to 4 dimming controllers within 30 meters distance area with zone button number 1 to zone button number 4 on 1 remote controller.

Each dimming controller can act as a signal transition bridge to transit the instruction signal to the other dimming controllers within 30 meters in 1 zone after pair-up and zone setting;

* Maximum distance between nearest and farthest dimming controller should be within 100 meters.



Highlight:

Please kindly note that all the distance for connection indicated above is for reference in open area. Metal boards or metal materials in between of devices may require shorter communication distance than 30 meters. Furthermore, WIFI routers, microwave ovens and other signal sources may impact the communication between devices. Maximum communication distance may be reduced. For indoor application with various appliances and wall, we recommend that the dimming controllers should be placed within 15 meters distance area for communication or signal transition.

LEDVANCE VALUE RGB Dimming Controller

Malfunions analysis & troubleshooting

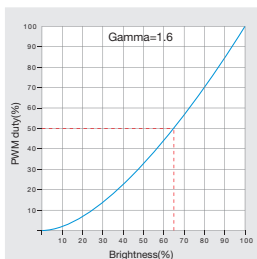
Malfunions performance	Possible root causes	Trouble shooting
Strip cannot be lighted on	<ul style="list-style-type: none"> a. Power has not been switched on; b. Wires have not been connected correctly either between the driver and dimming controller or between the dimming controller and strips; 	<ul style="list-style-type: none"> a. Please see if the power is on. Turn on the power if the power is off; b. Please see if the wires are linked to correct terminals after turn off the power. Re-connect the wires to the correct terminals on drivers, dimming controllers and strip;
Remote controllers cannot pair up with dimming controllers to give instructions to strip	<ul style="list-style-type: none"> a. The CR2032 Lithium battery cell is not with enough power; b. The battery is missing for remote controllers; c. The distance between dimming controller and the remote controller is further than 30 meters; d. The area between dimming controller and the remote controller is with serious signal interference devices or signal blocking items made of metal; 	<ul style="list-style-type: none"> a. Replace the battery cell at the back side of the remote controller; b. Put a pce of CR2032 lithium battery cell at the back side of the remote controller; c. Stay within 30 meters range with dimming controller whilst using the remote controller to give any instruction; d. Stay closer with dimming controller whilst using the remote controller to give any instruction; It would be highly recommended to give instruction via remote controller to dimming controller within 15 meters distance;
Color of the strip doesn't perform the instructed color correctly given by remote controller	<ul style="list-style-type: none"> a. The power lead wires between dimming controller and the strip is wrongly connected; b. The connection of some of the power lead wires is loose; 	<ul style="list-style-type: none"> a. Please see if the wires are following the connection guide. If not, please kindly re-connect the power lead carefully; b. Please see if the wires are connected to the dimming controller firmly. If not, please kindly re-connect the power lead carefully;

RGB Dynamic mode list

By pressing "Mode" button on the top left side of the remote controller, up to 10 types of performance modes would be showed according to order. You can change to next design mode via press the "Mode" button again.

No.	Name	No.	Name
1	RGB color jumping	6	RGB fade in and fade out
2	RGB color changing smoothly	7	Color red fade in and fade out
3	6 types of color jumping	8	Color green fade in and fade out
4	6 types of color changing smoothly	9	Color blue fade in and fade out
5	Color changing among yellow, cyan and purple smoothly	10	Color white fade in and fade out

Dimming curve for RGB/DIM



Warnings

- a Please read all the instructions carefully before you start to do any installation
- b Please pay attention to the polarity of the battery cell before inserting the battery cell inside the remote controllers
- c If you will not use the remote controllers for a long time, please kindly remove the battery to avoid the potential damage to the remote controller caused by expiration of battery cell
- d If the sensitivity of the remote controller becomes worse and worse when none of the signal amplifier is installed in the communication area, please consider to change the battery cell
- e If you cannot give any instruction to the dimming controllers and the strip, please kindly re-do the pairing up following the guide in this sheet
- f Please do not throw the remote controller hardly on floor or walls. Any intensive physical damage made by users will not be secured for warranty replacement
- g Please only use the remote controller within indoor area. The dimming controllers and remote controllers are not suitable for any outdoor application and environment

朗德万斯照明有限公司
广东省佛山市禅城区工业北路1号之一
邮编: 528000
客服热线: 400 882 1830
www.ledvance.com.cn

LEDVANCE Pte Ltd.
988 Toa Payoh North, # 03-06,
Singapore 319002

LEDVANCE Sdn, Bhd. (1166537-U)
100.7.009, 129 Offices, Block J, Jaya One
No. 72A, Jalan Universiti,
46200 Petaling Jaya,
Selangor Darul Ehsan, Malaysia

LEDVANCE Pvt. Ltd.
1201-1202, 12th Floor, Signature Towers, Tower - A,
South City - I, Gurugram - 122001, Haryana (India)
Consumer care (Name and address as per above),
Consumer care Tel. No. 0124-4150100
E-mail id: customercare@ledvance.com
www.ledvance.in

(주)레드밴스
서울시 강남구 삼성로 554 예성빌딩 6층
(우편번호 06165)
전화번호: +82 80 4891 700
www.ledvance.co.kr

LEDVANCE Prosperity Co. Ltd.
Room 4007-4009 Office Tower,
Convention Plaza, 1 Harbour Road,
Wanchai, Hong Kong

LEDVANCE Middle East FZE
Jebel Ali Free Zone
JAFZA 16, Office 603
P.O. Box 17476, Dubai – UAE

LEDVANCE Pty Ltd
ABN 34 050 103 181
Suite 2.1A
394 Lane Cove Road
Macquarie Park NSW 2113,
Australia
Ph +61 29481 8399/1300 467 726
www.ledvance.com.au