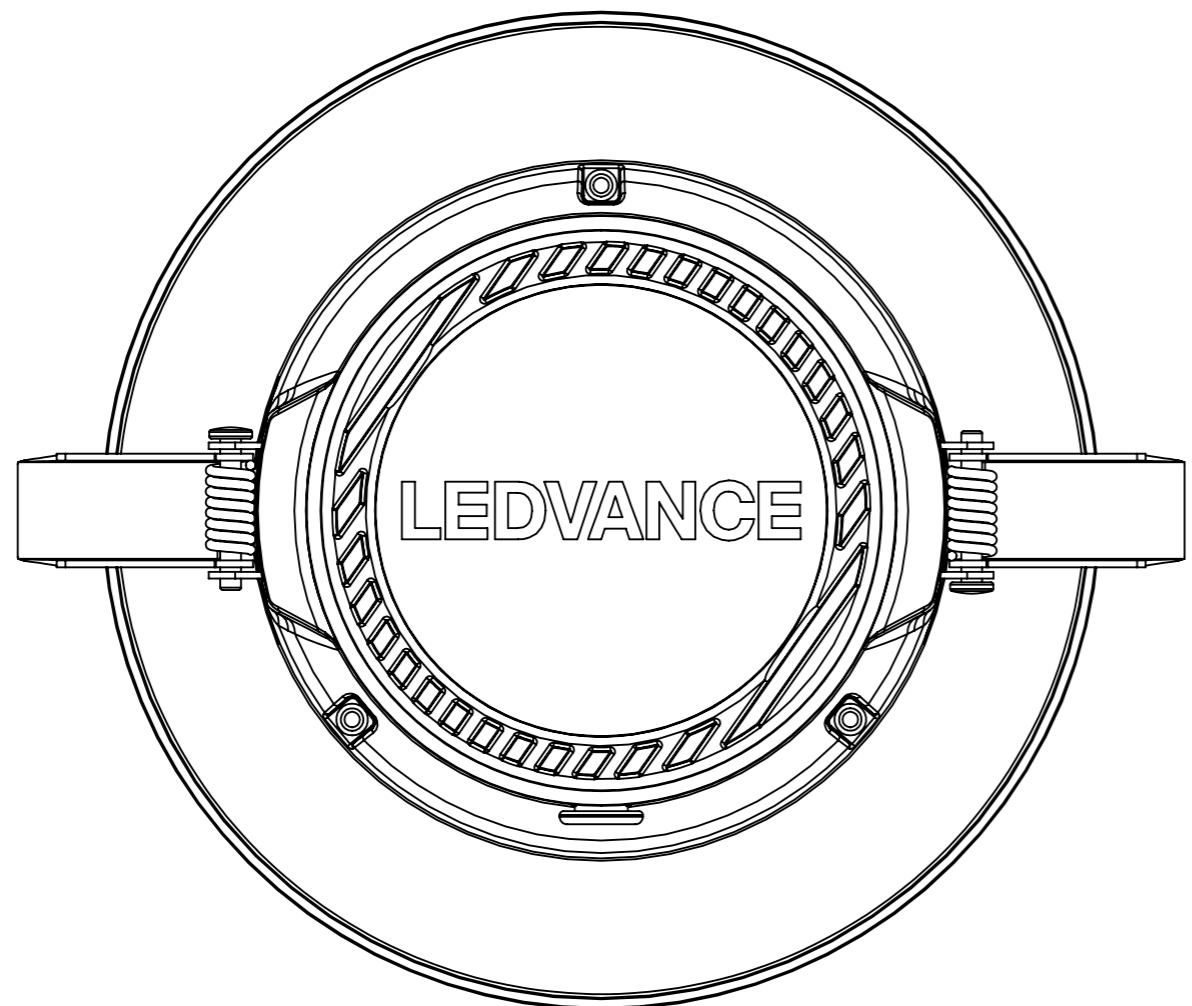
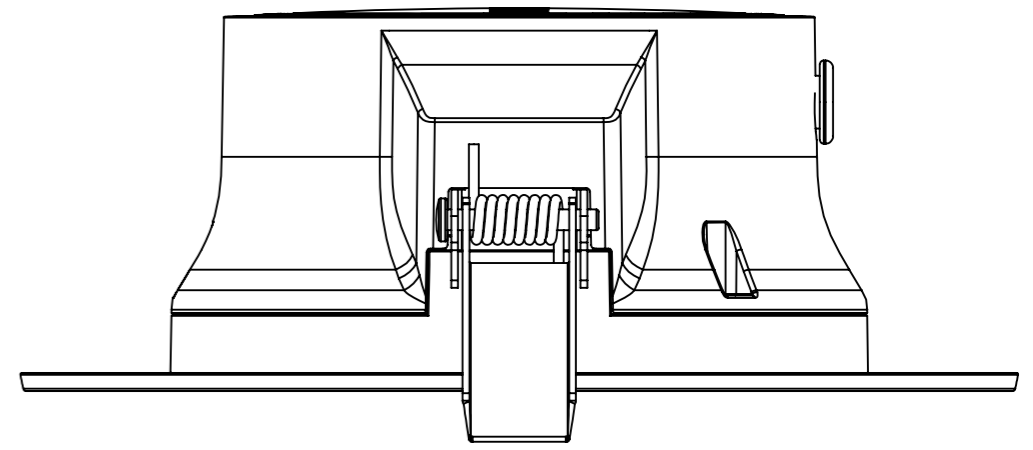


50mm



DIN 16 901 group 130 - set b	
linear dimension [mm]	tolerance [mm]
over 0 till 1	+/- 0,08
over 1 till 3	+/- 0,09
over 3 till 6	+/- 0,10
over 6 till 10	+/- 0,11
over 10 till 15	+/- 0,13
over 15 till 22	+/- 0,15
over 22 till 30	+/- 0,17
over 30 till 40	+/- 0,20
over 40 till 53	+/- 0,24
over 53 till 70	+/- 0,28
over 70 till 90	+/- 0,34
angular dimensions [°]	tolerance [°]
over 0 till 360	+/- 0,5

Changes marked by indication of index							Sheet 2 of 2
revision	change number	subject of change	date	Name editor	Name approved	Material	Scale 1:1
01		first edition	25.01.11				Unit mm
						Weight(g)	
			<b>PROJECT NAME</b> <b>COMPONENT DESCRIPTION</b>		<b>1Q11234567 EN 00</b>		

Proprietary data, company confidential. All rights reserved

A4