

# PRODUCT DATASHEET

## DL COMFORT DN 130 13 W 3CCT IP54 WT

DOWNLIGHT COMFORT | Downlights with adjustable white light colors



### Areas of application

- Direct replacement for luminaires with compact fluorescent lamps
- General illumination
- Bathrooms
- Kitchens
- Offices
- Corridors
- Foyers
- Shops
- Stairways

### Product benefits

- Three light color in one luminaire: Warm White, Cool White, Daylight White
- Simple installation thanks to integrated driver
- Easy installation with fast connection
- 5 years guarantee

### Product features

- Three light colors selectable via slide switch
- Type of protection: IP54
- Connector box with push wire terminal for tool-free connection
- Through wiring possible



## TECHNICAL DATA

### Electrical data

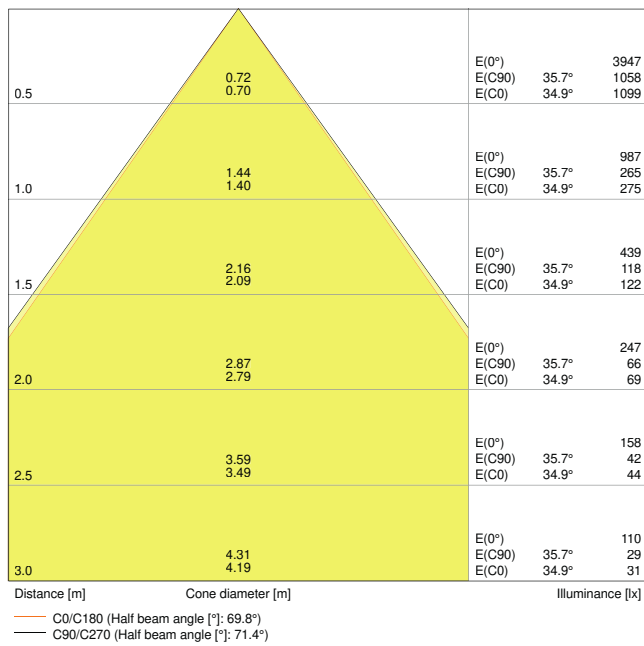
Nominal wattage	13.00 W
Nominal voltage	100...277 V
Mains frequency	50...60 Hz
Nominal current	140 mA
Inrush current	40 A
Inrush current time $T_{h50}$	100 $\mu$ s
Max. number of luminaires per miniature circuit breaker B16	18
Max. number of luminaires per miniature circuit breaker C10	15
Max. number of luminaires per miniature circuit breaker C16	24
Power factor $\lambda$	> 0.90
Total harmonic distortion	< 20 %
Protection class	I
Operating mode	Integrated LED driver

### Photometrical data

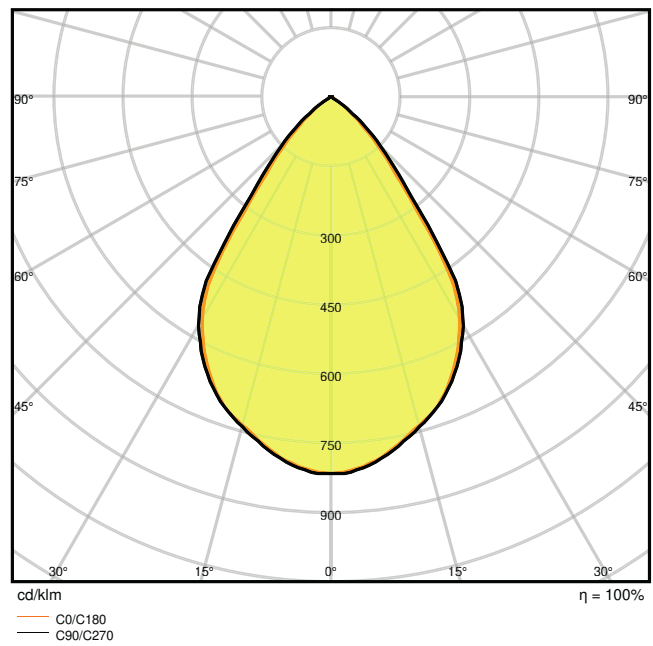
Luminous flux	1030 lm / 1210 lm / 1110 lm <sup>1)</sup>
Luminous efficacy	85 lm/W <sup>2)</sup>
Color temperature	3000 K / 4000 K / 5700 K
Light color (designation)	Warm White / Cool White / Cool Daylight
Color rendering index Ra	> 80
Standard deviation of color matching	< 5 sdc <sub>m</sub>
Luminous intensity	-
Flickering metric (Pst LM)	-
Stroboscope effect metric (SVM)	-
Photobiological safety group acc. to EN62778	RG0
Photobiological safety group acc. to EN62471	RG0
Beam angle	60 °
UGR	< 22

1) Luminous flux dependent on selected color temperature: 1030 lm@3000 K / 1110 lm@5700 K / 1210 lm@4000 K

2) Value at 5700 K, different for other color temperatures



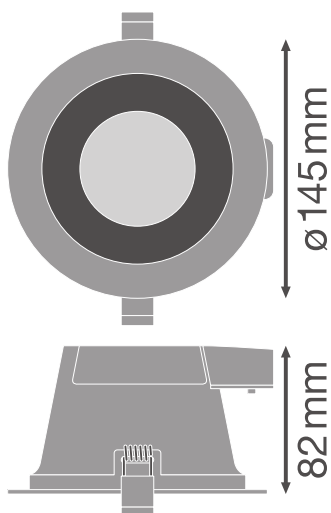
DL COMFORT DN130 13W3CCT 60DEG WT-4000K



DL COMFORT DN130 13W3CCT 60DEG WT-4000K

Dimensions & Weight

Diameter	145.00 mm
Height	82.00 mm
Product weight	265.00 g



DL COMFORT DN130 13W

## Materials & Colors

Product color	White
Housing color	White
Body material	Aluminum
Cover material	Polymethylmethacrylate (PMMA)
Glow Wire Test according to IEC 60695-2-12	650 °C
Mercury content	0.0 mg

## Application & Mounting

Ambient temperature range	-20...+45 °C
Type of connection	Screwless terminal, 2-Pole
Type of protection	IP54/IP20
Protection class IK (shock resistance)	IK03
Dimmable	No
Mounting type	Recessed
Mounting location	Ceiling
Application environment	Indoor
Mounting diameter	130 mm
Mounting depth	125 mm
With light source	Yes

## Lifespan

Lifespan L70/B50 at 25 °C	50000 h <sup>1)</sup>
Lifespan L80/B10 at 25 °C	43000 h <sup>1)</sup>
Lifespan L80/B50 at 25 °C	45000 h
Lifespan L90/B10 at 25 °C	30000 h
Number of switching cycles	50000

<sup>1)</sup> t[h]: L70 / B50 @ 25 °C (Ta), t[h]: L80 / B10 @ 25 °C (Ta), t[h]: L90 / B10 @ 25 °C (Ta)

## Certificates & Standards

Standards	CE / CB / ENEC / TÜV SÜD
Luminaire with limited surface temperature, "D sign"	No
Ball shot safe	No
Replaceable light source (EPREL)	Not replaceable


## Additional product data

Number of illuminants	Not relevant
Added function	MULTI SELECT
BEG eligible	No

### Safety advice

- All electrical connections must be made by a qualified person.
- Caution, risk of electric shock.
- The luminaires are not suitable for covering with thermally insulated material.
- Product in protection class I. All electrically conductive, metallic housing parts that can absorb voltage during operation or during maintenance in the event of a fault must be continuously connected to the protective earthing conductor.

### DOWNLOAD DATA

Documents and certificates		Document name
	User Instruction / Safety Instructions	DL COMFORT 3CCT
	Legal information	LI DL COMFORT
	Legal information	LSI_DL COMFORT 3 CCT
	Legal information	Informationstext 18 Abs 4 ElektroG
	Declarations of conformity	Attestation-of-Conformity DOWNLIGHT Comfort TÜV
	Declarations of conformity	EU Declaration of Conformity DOWNLIGHT Comfort LEDV
	Declarations Of Conformity UKCA	DOWNLIGHT COMFORT / DL UGR19
Photometric and lighting design files		Document name
	IES file (IES)	DOWNLIGHT COMFORT 13W 3CCT
	LDT file (Eulumdat)	DL COMFORT DN130 13W3CCT 60DEG WT-4000K
	ULD file (DIALux)	DL COMFORT DN130
	ROLF file (RELUX)	DL COMFORT DN130



– For Guarantee see [www.ledvance.com/guarantee](http://www.ledvance.com/guarantee)

---

## DISCLAIMER

Subject to change without notice. Errors and omission excepted. Always make sure to use the most recent release.