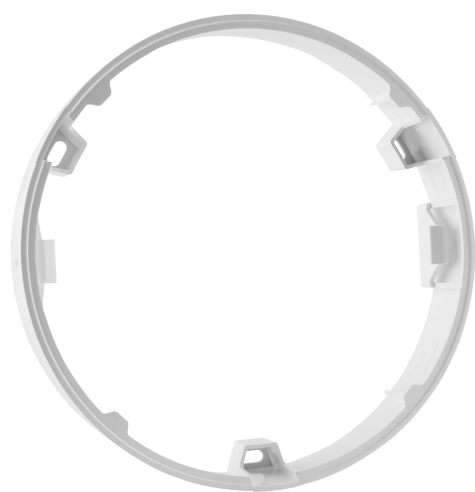


PRODUCT DATASHEET

DL SLIM FRAME DN 105 WT

DOWNLIGHT SLIM ROUND FRAME | Surface mounting frame, round shape



Areas of application

- General illumination
- Public areas
- Stairways
- Corridors
- Foyers
- Shops

Product benefits

- Cable entry on the side for electrical connection with low profil
- Easy installation thanks to included drilling template

Product features

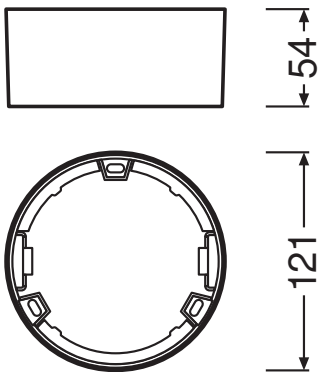
- Low mounting depth
- Robust polycarbonate casing
- Mounting accessories included



TECHNICAL DATA

Dimensions & Weight

| | |
|----------------|----------|
| Diameter | 121,0 mm |
| Height | 54 mm |
| Product weight | 36.00 g |



DL SLIM FRAME DN105 WT

Materials & Colors

| | |
|---------------|-------|
| Product color | White |
|---------------|-------|



Application & Mounting


| | |
|-------------------|----------------|
| Mounting location | Ceiling / Wall |
|-------------------|----------------|

Certificates & Standards

| | |
|----------------|----|
| Ball shot safe | No |
|----------------|----|

DOWNLOAD DATA

| Documents and certificates | Document name |
|---|--------------------------------------|
|  User Instruction / Safety Instructions | User Instruction DL Slim Frame Round |
|  On-Pack-Info | Legal Insert Downlight Slim |

| Tender texts | Document name |
|--|--------------------------------------|
|  Tender documents | DOWNLIGHT SLIM ROUND FRAME 105 WT-EN |

LOGISTICAL DATA

| Product code | Packaging unit (Pieces/Unit) | Dimensions (length x width x height) | Gross weight | Volume |
|---------------|------------------------------|--------------------------------------|--------------|----------------------|
| 4058075079151 | Folding box 1 | 60 mm x 130 mm x 130 mm | 84.00 g | 1.01 dm ³ |
| 4058075079168 | Shipping box 6 | 380 mm x 140 mm x 154 mm | 624.00 g | 8.19 dm ³ |

The mentioned product code describes the smallest quantity unit which can be ordered. One shipping unit can contain one or more single products. When placing an order, for the quantity please enter single or multiples of a shipping unit.

DISCLAIMER

Subject to change without notice. Errors and omission excepted. Always make sure to use the most recent release.