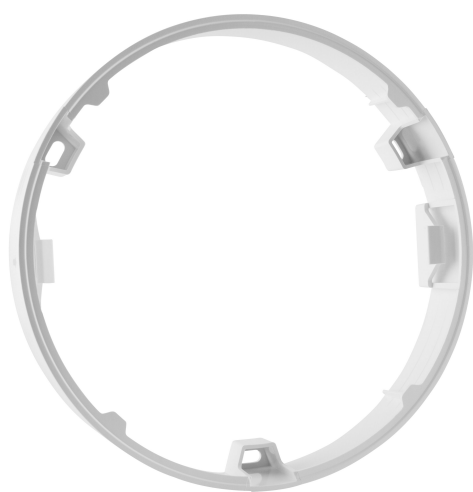


# PRODUCT DATASHEET

## DL SLIM FRAME DN 155 WT

DOWNLIGHT SLIM ROUND FRAME | Surface mounting frame, round shape



### Areas of application

- General illumination
- Public areas
- Stairways
- Corridors
- Foyers
- Shops

### Product benefits

- Cable entry on the side for electrical connection with low profil
- Easy installation thanks to included drilling template

### Product features

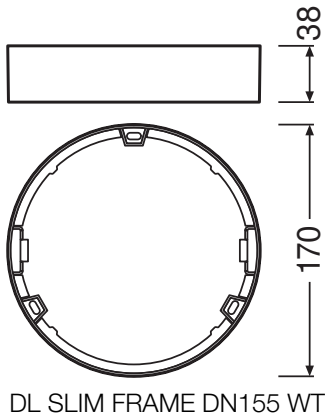
- Low mounting depth
- Robust polycarbonate casing
- Mounting accessories included



TECHNICAL DATA

Dimensions & Weight

Diameter	170,0 mm
Height	38 mm
Product weight	50.00 g



Materials & Colors

Product color	White
---------------	-------



Application & Mounting

Mounting location	Ceiling / Wall
-------------------	----------------

Certificates & Standards

Ball shot safe	No
----------------	----

DOWNLOAD DATA

Documents and certificates		Document name
	User Instruction / Safety Instructions	User Instruction DL Slim Frame Round
Tender texts		Document name
	Tender documents	DOWNLIGHT SLIM ROUND FRAME 155 WT-EN

---

**LOGISTICAL DATA**

Product code	Packaging unit (Pieces/Unit)	Dimensions (length x width x height)	Gross weight	Volume
4058075079175	Folding box 1	43 mm x 180 mm x 180 mm	101.00 g	1.39 dm <sup>3</sup>
4058075079182	Shipping box 6	280 mm x 190 mm x 200 mm	794.00 g	10.64 dm <sup>3</sup>

The mentioned product code describes the smallest quantity unit which can be ordered. One shipping unit can contain one or more single products. When placing an order, for the quantity please enter single or multiples of a shipping unit.

---

**DISCLAIMER**

Subject to change without notice. Errors and omission excepted. Always make sure to use the most recent release.