

PRODUCT DATASHEET

DL SLIM FRAME SQ 155 WT

DOWNLIGHT SLIM SQUARE FRAME | Surface mounting frame, square shape



Areas of application

- General illumination
- Public areas
- Stairways
- Corridors
- Foyers
- Shops

Product benefits

- Cable entry on the side for electrical connection with low profil
- Easy installation thanks to included drilling template

Product features

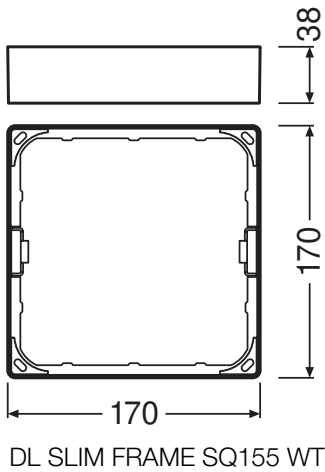
- Low mounting depth
- Robust polycarbonate casing
- Mounting accessories included



TECHNICAL DATA

Dimensions & Weight

| | |
|----------------|----------|
| Length | 170.0 mm |
| Width | 170.0 mm |
| Height | 38 mm |
| Product weight | 68.00 g |



Materials & Colors

| | |
|---------------|-------|
| Product color | White |
|---------------|-------|

Application & Mounting

| | |
|-------------------|----------------|
| Mounting location | Ceiling / Wall |
|-------------------|----------------|


Certificates & Standards


| | |
|----------------|----|
| Ball shot safe | No |
|----------------|----|

Safety advice

- All electrical connections must be made by a qualified person.
- Product in protection class I. All electrically conductive, metallic housing parts that can absorb voltage during operation or during maintenance in the event of a fault must be continuously connected to the protective earthing conductor.

DOWNLOAD DATA

| Documents and certificates | | Document name |
|--|--|---------------------------------------|
|  | User instruction / safety instructions | User Instruction DL Slim Frame Square |

| Tender texts | | Document name |
|--|------------------|---------------------------------------|
|  | Tender documents | DOWNLIGHT SLIM SQUARE FRAME 155 WT-EN |

LOGISTICAL DATA

| Product code | Packaging unit (Pieces/Unit) | Dimensions (length x width x height) | Gross weight | Volume |
|---------------|------------------------------|--------------------------------------|--------------|-----------------------|
| 4058075079410 | Folding box 1 | 43 mm x 180 mm x 180 mm | 119.00 g | 1.39 dm ³ |
| 4058075079427 | Shipping box 6 | 280 mm x 190 mm x 200 mm | 902.00 g | 10.64 dm ³ |

The mentioned product code describes the smallest quantity unit which can be ordered. One shipping unit can contain one or more single products. When placing an order, for the quantity please enter single or multiples of a shipping unit.

DISCLAIMER

Subject to change without notice. Errors and omission excepted. Always make sure to use the most recent release.