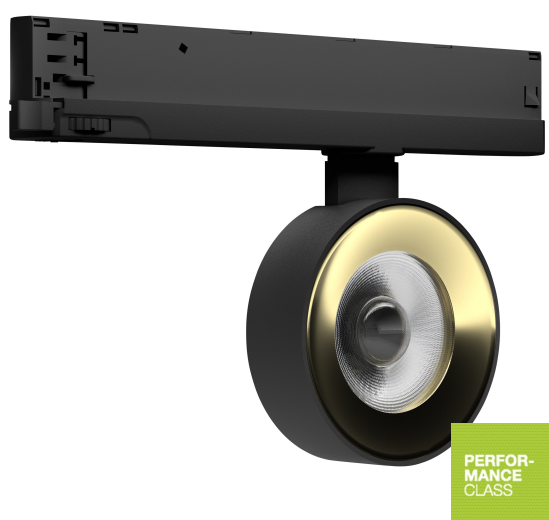


PRODUCT DATASHEET

TR SP COMPACT D100 28 W 930 FL BK

TRACKLIGHT SPOT COMPACT | Shaped 3-phase tracklight spot with in-track control gear



Areas of application

- Direct replacement for luminaires using HID lamps
- Accent lighting
- Fashion shops, accessories shops
- Retail
- Hotels, restaurants, shops

Product benefits

- Timeless design suitable for high-quality interior
- Included 3-phase adapter compatible with common tracks (NORLUX, GLOBAL, NUCO, NORDIC)
- No distraction of attention from the illuminated objects thanks to reduced design
- Low flicker light thanks to special electronic control gear
- 5 years guarantee

Product features

- Compact tracklight spot with in-track control gear
- Made in Germany
- Luminaire efficacy: up to 85 lm/W
- Rotation angle: 350°, tilt angle: 90°
- Very good color rendering index Ra: 90
- Color rendering index R_{a9}: > 60
- Initial color consistency: ≤ 3 SDCM
- Available with beam angle: 25°, 36°



- Follows the unified LEDVANCE design language (SCALE design)
- Robust die-cast aluminum housing
- Available in matt white (like RAL9010), matt black (like RAL9005) and concrete grey (like RAL7042)

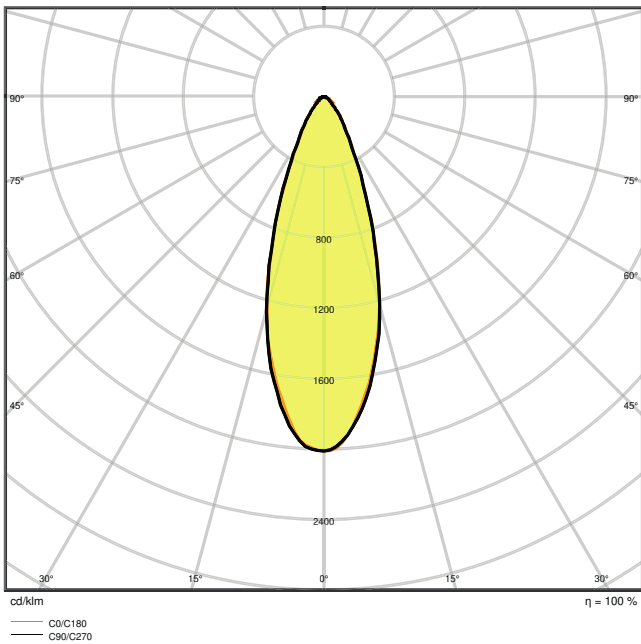
TECHNICAL DATA

Electrical data

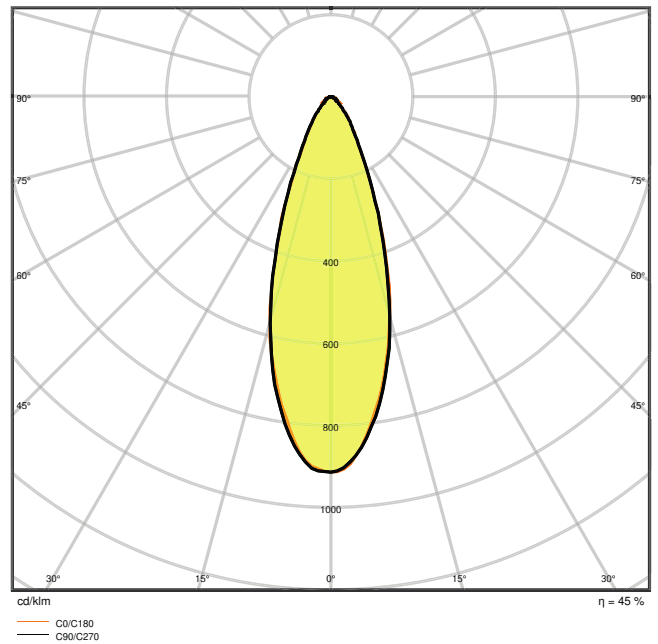
| | |
|---|-----------------------|
| Nominal wattage | 28.00 W |
| Nominal voltage | 220...240 V |
| Mains frequency | 50...60 Hz |
| Nominal current | 120 mA |
| Inrush current | 20 A |
| Inrush current time T_{h50} | < 500 μ s |
| Max. number of luminaires per miniature circuit breaker B16 | 25 |
| Max. number of luminaires per miniature circuit breaker C16 | 40 |
| Power factor λ | > 0.90 |
| Total harmonic distortion | < 20 % |
| Protection class | II |
| Operating mode | Integrated LED driver |

Photometrical data

| | |
|--|---------------------------|
| Luminous flux | 2200 lm |
| Luminous efficacy | 80 lm/W |
| Color temperature | 3000 K |
| Light color (designation) | Warm White |
| Color rendering index Ra | 90 |
| Standard deviation of color matching | ≤ 3 sdc _m |
| Luminous intensity | - |
| Low flicker | Yes |
| Flickering metric (Pst LM) | - |
| Stroboscope effect metric (SVM) | - |
| Photobiological safety group acc. to EN62778 | RG1 |
| Beam angle | 36 ° |



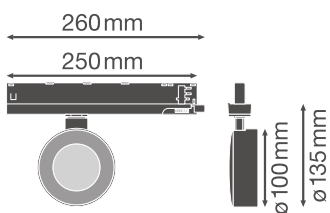
TR SP COM D100 28W 3000K 90R FL BK



TR SP COM D100 28W 3000K 90R FL BK

Dimensions & Weight

| | |
|----------------|-----------|
| Length | 260.00 mm |
| Width | 33.00 mm |
| Height | 160.00 mm |
| Product weight | 400.00 g |



TR SP COM D100 28W 90R FL BK

Materials & Colors

| | |
|---------------|----------|
| Product color | Black |
| Housing color | Black |
| Body material | Aluminum |

| | |
|--|-------------------------------|
| Cover material | Polymethylmethacrylate (PMMA) |
| Light emitting surface material | Polycarbonate (PC) |
| Glow Wire Test according to IEC 60695-2-12 | 650 °C |
| Mercury content | 0.0 mg |

Application & Mounting

| | |
|--|------------------|
| Ambient temperature range | -20...+35 °C |
| Type of connection | Adapter, 3-phase |
| Type of protection | IP20 |
| Protection class IK (shock resistance) | IK03 |
| Dimmable | No |
| Mounting type | Surface |
| Mounting location | Mounting track |
| Application environment | Indoor |
| Adjustable | Yes |
| LED module replaceable | Not replaceable |
| With light source | No |

Lifespan

| | |
|----------------------------|-----------------------|
| Lifespan L70/B50 at 25 °C | 80000 h ¹⁾ |
| Lifespan L80/B10 at 25 °C | 50000 h ¹⁾ |
| Lifespan L90/B10 at 25 °C | 35000 h |
| Number of switching cycles | 100000 |

¹⁾ t[h]: L70 / B50 @ 25 °C (Ta), t[h]: L80 / B10 @ 25 °C (Ta), t[h]: L90 / B10 @ 25 °C (Ta)



Control gear





| | |
|-----------------------------|-----------|
| ECG - Output voltage | 27...42 V |
| ECG - Output ripple current | < 3 % |


Certificates & Standards

| | |
|--|---------------------------------------|
| Standards | CE / CB / ENEC / TÜV SÜD / EAC / RoHS |
| Luminaire with limited surface temperature, "D sign" | No |
| Ball shot safe | No |

DOWNLOAD DATA

| Documents and certificates | | Document name |
|--|--|----------------------------|
|  | User Instruction / Safety Instructions | UI_TRACKLIGHT SPOT COMPACT |
|  | Declarations of conformity | TRACK SPOT COMPACT |

| Photometric and lighting design files | | Document name |
|--|---------------------|------------------------------------|
|  | IES file (IES) | TR SP COM D100 28W 3000K 90R FL BK |
|  | LDT file (Eulumdat) | TR SP COM D100 28W 3000K 90R FL BK |
|  | LDC typ polar | TR SP COM D100 28W 3000K 90R FL BK |
|  | LDC typ polar | TR SP COM D100 28W 3000K 90R FL BK |

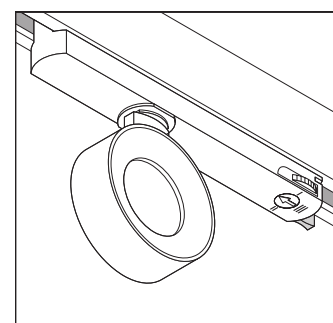
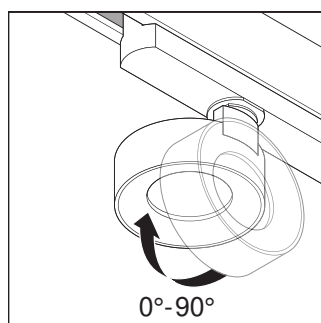
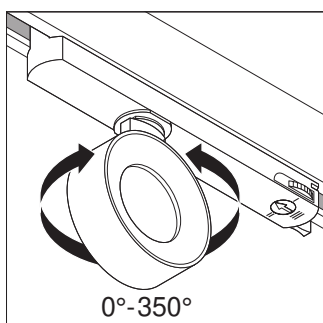
| Tender texts | | Document name |
|--|------------------|--|
|  | Tender documents | TRACKLIGHT SPOT COMPACT D100 28 W 930 FL BK-EN |

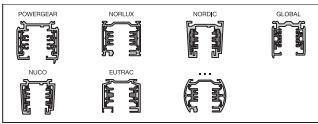
LOGISTICAL DATA

| Product code | Packaging unit (Pieces/Unit) | Dimensions (length x width x height) | Gross weight | Volume |
|---------------|------------------------------|--------------------------------------|--------------|-----------------------|
| 4058075335943 | Folding box 1 | 114 mm x 114 mm x 264 mm | 513.00 g | 3.43 dm ³ |
| 4058075335950 | Shipping box 4 | 239 mm x 239 mm x 280 mm | 2292.00 g | 15.99 dm ³ |

The mentioned product code describes the smallest quantity unit which can be ordered. One shipping unit can contain one or more single products. When placing an order, for the quantity please enter single or multiples of a shipping unit.

ADDITIONAL CATALOG INFORMATION





References / Links

– For Guarantee see www.ledvance.com/guarantee

DISCLAIMER

Subject to change without notice. Errors and omission excepted. Always make sure to use the most recent release.