

# PRODUCT DATASHEET

## TR SP COMPACT D100 28 W 940 FL GY

TRACKLIGHT SPOT COMPACT | Shaped 3-phase tracklight spot with in-track control gear



### Areas of application

- Direct replacement for luminaires using HID lamps
- Accent lighting
- Fashion shops, accessories shops
- Retail
- Hotels, restaurants, shops

### Product benefits

- Timeless design suitable for high-quality interior
- Included 3-phase adapter compatible with common tracks (NORLUX, GLOBAL, NUCO, NORDIC)
- No distraction of attention from the illuminated objects thanks to reduced design
- Low flicker light thanks to special electronic control gear
- 5 years guarantee

### Product features

- Compact tracklight spot with in-track control gear
- Made in Germany
- Luminaire efficacy: up to 85 lm/W
- Rotation angle: 350°, tilt angle: 90°
- Very good color rendering index Ra: 90
- Color rendering index R<sub>a9</sub>: > 60
- Initial color consistency: ≤ 3 SDCM
- Available with beam angle: 25°, 36°



- Follows the unified LEDVANCE design language (SCALE design)
- Robust die-cast aluminum housing
- Available in matt white (like RAL9010), matt black (like RAL9005) and concrete grey (like RAL7042)

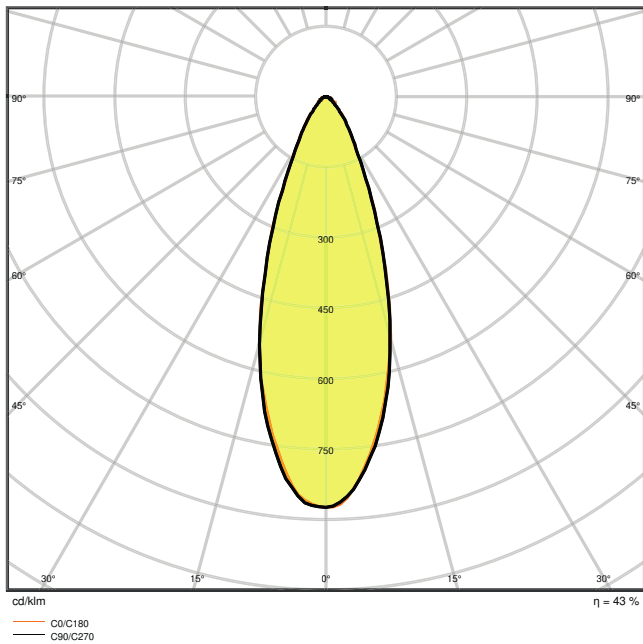
## TECHNICAL DATA

### Electrical data

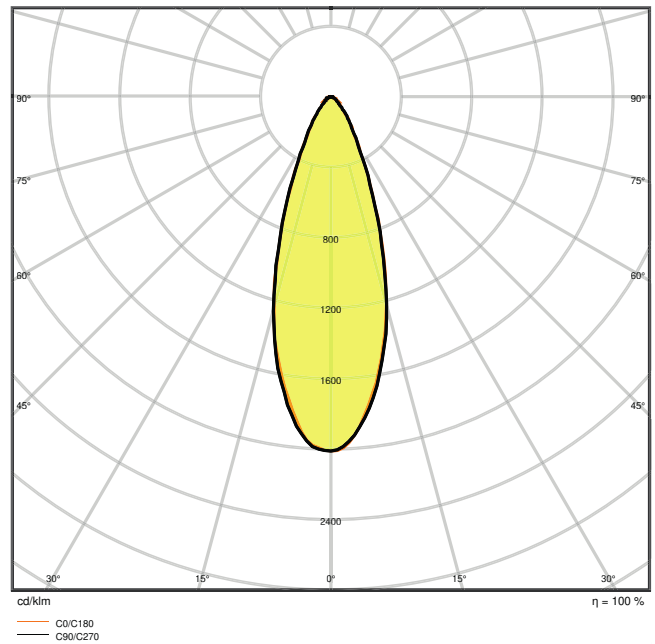
Nominal wattage	28.00 W
Nominal voltage	220...240 V
Mains frequency	50...60 Hz
Nominal current	120 mA
Inrush current	20 A
Inrush current time $T_{h50}$	< 500 $\mu$ s
Max. number of luminaires per miniature circuit breaker B16	25
Max. number of luminaires per miniature circuit breaker C16	40
Power factor $\lambda$	> 0.90
Total harmonic distortion	< 20 %
Protection class	II
Operating mode	Integrated LED driver

### Photometrical data

Luminous flux	2300 lm
Luminous efficacy	80 lm/W
Color temperature	4000 K
Light color (designation)	Cool White
Color rendering index Ra	90
Standard deviation of color matching	$\leq 3$ sdc <sub>m</sub>
Luminous intensity	-
Low flicker	Yes
Flickering metric (Pst LM)	-
Stroboscope effect metric (SVM)	-
Photobiological safety group acc. to EN62778	RG1
Beam angle	36 °



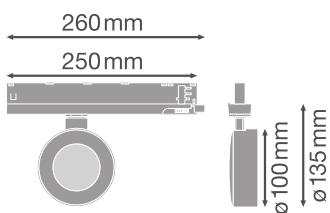
TR SP COM D100 28W 4000K 90R FL GY



TR SP COM D100 28W 4000K 90R FL GY

Dimensions & Weight

Length	260.00 mm
Width	33.00 mm
Height	160.00 mm
Product weight	400.00 g



TR SP COM D100 28W 90R FL GY

Materials & Colors

Product color	Gray
Housing color	Gray
Body material	Aluminum

Cover material	Polymethylmethacrylate (PMMA)
Light emitting surface material	Polycarbonate (PC)
Glow Wire Test according to IEC 60695-2-12	650 °C
Mercury content	0.0 mg

### Application & Mounting

Ambient temperature range	-20...+35 °C
Type of connection	Adapter, 3-phase
Type of protection	IP20
Protection class IK (shock resistance)	IK03
Dimmable	No
Mounting type	Surface
Mounting location	Mounting track
Application environment	Indoor
Adjustable	Yes
LED module replaceable	Not replaceable
With light source	No

### Lifespan

Lifespan L70/B50 at 25 °C	80000 h <sup>1)</sup>
Lifespan L80/B10 at 25 °C	50000 h <sup>1)</sup>
Lifespan L90/B10 at 25 °C	35000 h
Number of switching cycles	100000

<sup>1)</sup> t[h]: L70 / B50 @ 25 °C (Ta), t[h]: L80 / B10 @ 25 °C (Ta), t[h]: L90 / B10 @ 25 °C (Ta)



### Control gear

ECG - Output voltage	27...42 V
ECG - Output ripple current	< 3 %





### Certificates & Standards

Standards	CE / CB / ENEC / TÜV SÜD / EAC / RoHS
Luminaire with limited surface temperature, "D sign"	No
Ball shot safe	No


### DOWNLOAD DATA

Documents and certificates		Document name
	User Instruction / Safety Instructions	UI_TRACKLIGHT SPOT COMPACT
	Declarations of conformity	TRACK SPOT COMPACT

Photometric and lighting design files		Document name
	IES file (IES)	TR SP COM D100 28W 4000K 90R FL GY
	LDT file (Eulumdat)	TR SP COM D100 28W 4000K 90R FL GY
	LDC typ polar	TR SP COM D100 28W 4000K 90R FL GY
	LDC typ polar	TR SP COM D100 28W 4000K 90R FL GY

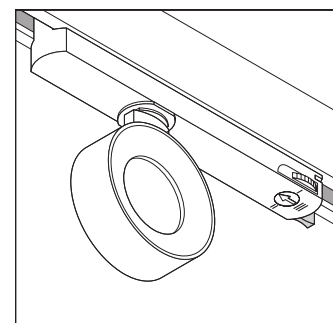
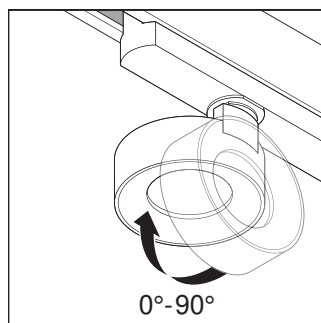
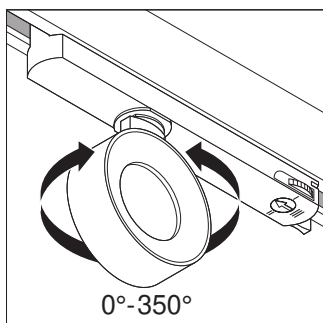
Tender texts		Document name
	Tender documents	TRACKLIGHT SPOT COMPACT D100 28 W 940 FL GY-EN

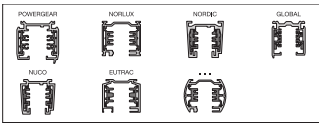
LOGISTICAL DATA

Product code	Packaging unit (Pieces/Unit)	Dimensions (length x width x height)	Gross weight	Volume
4058075336063	Folding box 1	114 mm x 114 mm x 264 mm	513.00 g	3.43 dm <sup>3</sup>
4058075336070	Shipping box 4	239 mm x 239 mm x 280 mm	2292.00 g	15.99 dm <sup>3</sup>

The mentioned product code describes the smallest quantity unit which can be ordered. One shipping unit can contain one or more single products. When placing an order, for the quantity please enter single or multiples of a shipping unit.

ADDITIONAL CATALOG INFORMATION





---

## References / Links

– For Guarantee see [www.ledvance.com/guarantee](http://www.ledvance.com/guarantee)

---

## DISCLAIMER

Subject to change without notice. Errors and omission excepted. Always make sure to use the most recent release.