

# PRODUCT DATASHEET

## HB ALU REFLECTOR 93 W

HIGH BAY REFLECTOR GEN 3 | Reflectors for HIGH BAY GEN 3 luminaires



---

### Product features

- High-quality aluminum reflector



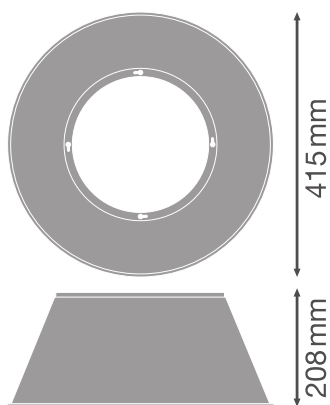
## TECHNICAL DATA

### Photometrical data

Beam angle	65 °
------------	------

### Dimensions & Weight

Diameter	415,0 mm
Height	205.0 mm
Product weight	490.00 g



HB ALU REFLECTOR 93W

### Materials & Colors

Product color	Silver
Body material	Aluminum


### Application & Mounting


Mounting location	Luminaire
-------------------	-----------

### Certificates & Standards


Luminaire with limited surface temperature, "D sign"	No
--	----

## DOWNLOAD DATA

Documents and certificates	Document name
 User Instruction / Safety Instructions	HIGHBAY Gen3

Documents and certificates		Document name
	Declarations of conformity	HB

---

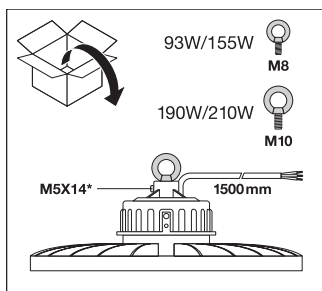
Tender texts		Document name
	Tender documents	HIGH BAY REFLECTOR GEN 3 93 W-EN

**LOGISTICAL DATA**

Product code	Packaging unit (Pieces/Unit)	Dimensions (length x width x height)	Gross weight	Volume
4058075507043	Shipping box 2	462 mm x 247 mm x 469 mm	1996.00 g	53.52 dm <sup>3</sup>

The mentioned product code describes the smallest quantity unit which can be ordered. One shipping unit can contain one or more single products. When placing an order, for the quantity please enter single or multiples of a shipping unit.

**ADDITIONAL CATALOG INFORMATION**



**References / Links**

– For Guarantee see [www.ledvance.com/guarantee](http://www.ledvance.com/guarantee)

**DISCLAIMER**

Subject to change without notice. Errors and omission excepted. Always make sure to use the most recent release.