

# PRODUCT DATASHEET

## HB PC REFRACTOR 93 W

HIGH BAY REFRACTOR GEN 3 | Refractors for HIGH BAY GEN 3 luminaires



---

### Product features

- High quality polycarbonate refractor



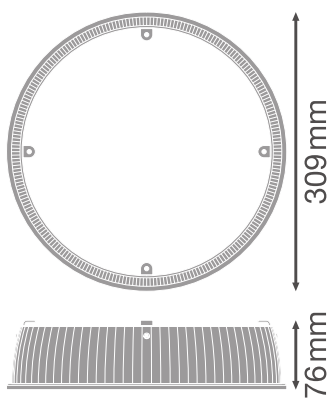
TECHNICAL DATA

Photometrical data

Beam angle	90 °
------------	------

Dimensions & Weight

Diameter	309.0 mm
Height	76 mm
Product weight	222.00 g



HB PC REFRACTOR 93W

Materials & Colors

Product color	Transparent
Body material	Polycarbonate (PC)


Application & Mounting


Mounting location	Luminaire
-------------------	-----------

Certificates & Standards


Luminaire with limited surface temperature, "D sign"	No
--	----

DOWNLOAD DATA

Documents and certificates	Document name
 User instruction / safety instructions	HIGHBAY Gen3

Documents and certificates		Document name
	Declarations of conformity	HB

---

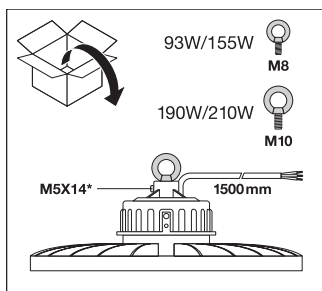
Tender texts		Document name
	Tender documents	HIGH BAY REFRACTOR GEN 3 93 W-EN

**LOGISTICAL DATA**

Product code	Packaging unit (Pieces/Unit)	Dimensions (length x width x height)	Gross weight	Volume
4058075507029	Shipping box 2	397 mm x 252 mm x 362 mm	1460.00 g	36.22 dm <sup>3</sup>

The mentioned product code describes the smallest quantity unit which can be ordered. One shipping unit can contain one or more single products. When placing an order, for the quantity please enter single or multiples of a shipping unit.

**ADDITIONAL CATALOG INFORMATION**



**References / Links**

– For Guarantee see [www.ledvance.com/guarantee](http://www.ledvance.com/guarantee)

**DISCLAIMER**

Subject to change without notice. Errors and omission excepted. Always make sure to use the most recent release.