

PRODUCT DATASHEET

LED ECO STREETLIGHT 50 W 6500 K

LED ECO STREETLIGHT | Streetlights



Areas of application

- City roads, industrial roads, parking lots
- Residential sector
- Gardens

Product benefits

- Slim housing
- Aesthetic and functional product design
- Homogeneous luminance distribution and minimized glare thanks to optical lens
- Easy installation thanks to pre-wired with mains cable
- High quality aluminum housing

Product features

- Surge protection: up to 10 kV (L-N)
- Lifetime up to 50,000 h
- Type of protection: IP66
- Impact resistance: IK08



TECHNICAL DATA

Electrical data

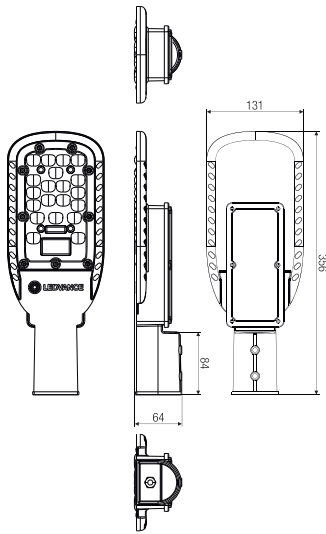
Nominal wattage	50.00 W
Nominal voltage	100...240 V
Mains frequency	50...60 Hz
Power factor λ	> 0.90
Protection class	I
Operating mode	Integrated LED driver

Photometrical data

Luminous flux	5000 lm
Luminous efficacy	100 lm/W
Color temperature	6500 K
Light color (designation)	Daylight
Color rendering index Ra	80
Standard deviation of color matching	5 sdcn
Beam angle	75 ° x 135 °

Dimensions & Weight

Length	356.00 mm
Width	131.00 mm
Height	77.00 mm
Product weight	1296.00 g
Cable length	500 mm



LDECO STREET M 50W

Materials & Colors

Product color	Gray
Housing color	Gray
Body material	Aluminum Polycarbonate (PC)
Cover material	Polycarbonate (PC)
Mercury content	0.0 mg

Application & Mounting

Ambient temperature range	-30...+50 °C
Temperature range at storage	-40...+70 °C
Type of connection	Cable, 3-pole
Type of protection	IP66
Protection class IK (shock resistance)	IK08
Dimmable	No
Mounting type	Standing
Mounting location	Pole
Application environment	Outdoor

Lifespan

Lifespan L70/B50 at 25 °C	50000 h ¹⁾
Number of switching cycles	100000

1) t[h]: L70 / B50 @ 25 °C (Ta), t[h]: L80 / B10 @ 25 °C (Ta), t[h]: L90 / B10 @ 25 °C (Ta)

Certificates & Standards

Replaceable light source (EPREL)	Not replaceable
----------------------------------	-----------------

LOGISTICAL DATA

Product code	Packaging unit (Pieces/Unit)	Dimensions (length x width x height)	Gross weight	Volume
4058075279018	Folding box 1	396 mm x 91 mm x 178 mm	946.00 g	6.41 dm ³
4058075279025	Shipping box 10	480 mm x 410 mm x 375 mm	10758.00 g	73.80 dm ³

The mentioned product code describes the smallest quantity unit which can be ordered. One shipping unit can contain one or more single products. When placing an order, for the quantity please enter single or multiples of a shipping unit.

DISCLAIMER

Subject to change without notice. Errors and omission excepted. Always make sure to use the most recent release.