

# PRODUCT DATASHEET

## LED ECO STREETLIGHT 30 W 6500 K HE

LED ECO STREETLIGHT | Streetlights



### Areas of application

- City roads, industrial roads, parking lots
- Residential sector
- Gardens

### Product benefits

- Slim housing
- Aesthetic and functional product design
- Homogeneous luminance distribution and minimized glare thanks to optical lens
- Easy installation thanks to pre-wired with mains cable
- High quality aluminum housing

### Product features

- Surge protection: up to 10 kV (L-N)
- Lifetime: up to 50,000 h
- Type of protection: IP66
- Impact resistance: IK08



---

## TECHNICAL DATA

### Electrical data

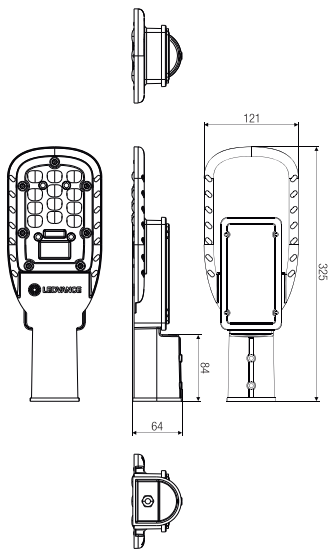
Nominal wattage	30.00 W
Nominal voltage	100...240 V
Mains frequency	50...60 Hz
Power factor $\lambda$	> 0.90
Protection class	I
Operating mode	Mains voltage

### Photometrical data

Luminous flux	3600 lm
Luminous efficacy	120 lm/W
Color temperature	6500 K
Light color (designation)	Daylight
Color rendering index Ra	> 80
Standard deviation of color matching	5 sdcn
Beam angle	75 ° x 135 °

### Dimensions & Weight

Length	325.00 mm
Width	121.00 mm
Height	77.00 mm
Product weight	961.00 g
Cable length	500 mm



LDECO STREET S 30W

### Materials & Colors

Product color	Gray
Housing color	Gray
Body material	Aluminum
Cover material	Polycarbonate (PC)
Mercury content	0.0 mg

### Application & Mounting

Ambient temperature range	-30...+50 °C
Temperature range at storage	-40...+70 °C
Type of connection	Cable, 3-pole
Type of protection	IP66
Protection class IK (shock resistance)	IK08
Dimmable	No
Mounting type	Suspended
Mounting location	Pole
Application environment	Outdoor
LED module replaceable	Not replaceable

### Lifespan

Lifespan L70/B50 at 25 °C	50000 h <sup>1)</sup>
---------------------------	-----------------------

Number of switching cycles	100000
----------------------------	--------

1) t[h]: L70 / B50 @ 25 °C (Ta), t[h]: L80 / B10 @ 25 °C (Ta), t[h]: L90 / B10 @ 25 °C (Ta)

## LOGISTICAL DATA

Product code	Packaging unit (Pieces/Unit)	Dimensions (length x width x height)	Gross weight	Volume
4058075279117	Folding box 1	366 mm x 94 mm x 168 mm	903.00 g	5.78 dm <sup>3</sup>
4058075279124	Shipping box 10	495 mm x 380 mm x 355 mm	10228.00 g	66.78 dm <sup>3</sup>

The mentioned product code describes the smallest quantity unit which can be ordered. One shipping unit can contain one or more single products. When placing an order, for the quantity please enter single or multiples of a shipping unit.

## DISCLAIMER

Subject to change without notice. Errors and omission excepted. Always make sure to use the most recent release.